

# Installation Instructions

Model D-200  
E-200



## WARNING!!!

Post safety warning and barricade work area, at dock level and ground level to prevent unauthorized use of the dock position while service work is being performed.

### Parts List

- 1 Head Curtain
- 2 Side pads

#### Hardware (D200)

- 6 Angle Bracket
- 6 Flat bracket
- 17-3/8" 1 7/8" sleeve anchors
- 26 - #14 x 1 1/2" wood screws
- 1 Set of ropes (13', 15', 17')
- 1 Rope cleat
- 12 Roofing nails

#### Hardware (E200)

- 6 Angle bracket
- 6 Flat bracket
- 17- 3/8" x 1 7/8" sleeve anchors
- 26 - #14 x 1 1/2" wood screws
- 1 Set of ropes (13', 15', 17')
- 1 Rope cleat
- 12 Roofing nails

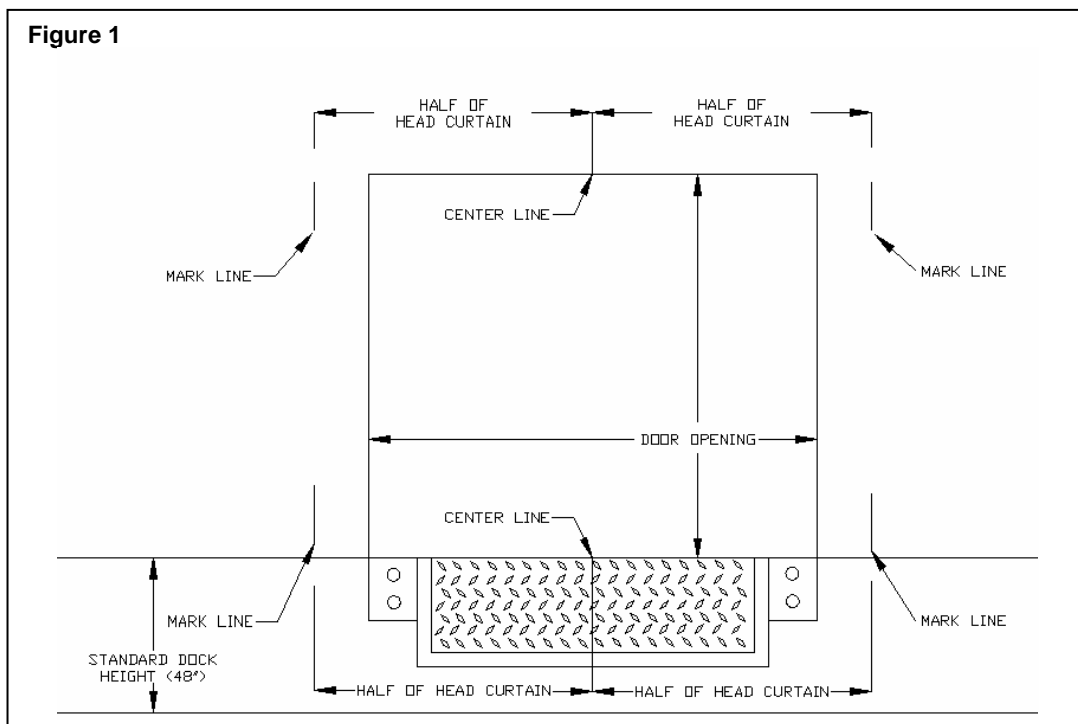
#### Optional 2" x 4" mounting on head curtain

- 5 3/8" x 3" sleeve anchors

## Instructions:

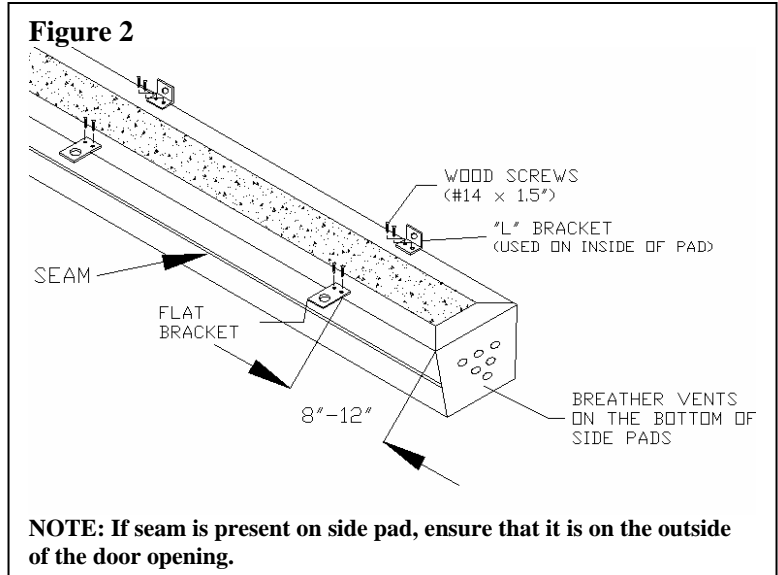
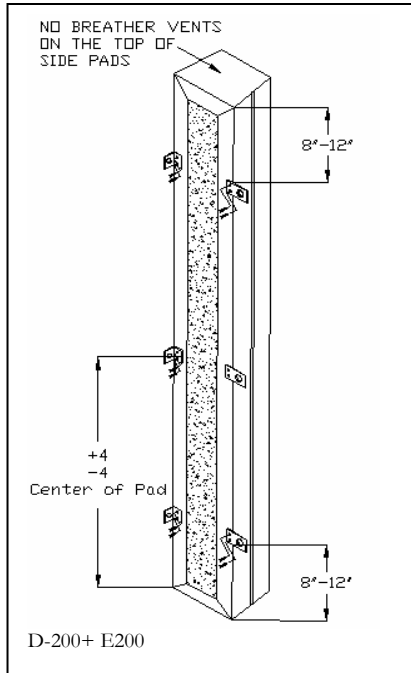
### 1. Marking and mounting locations for side pads.

Measure one half of the head curtain length. From the center line of the door opening (top & bottom) mark out the location of the outside of the side pads as shown in **Figure 1**. Repeat for the other side pad location.



## 2. Attaching the brackets to the side pads.

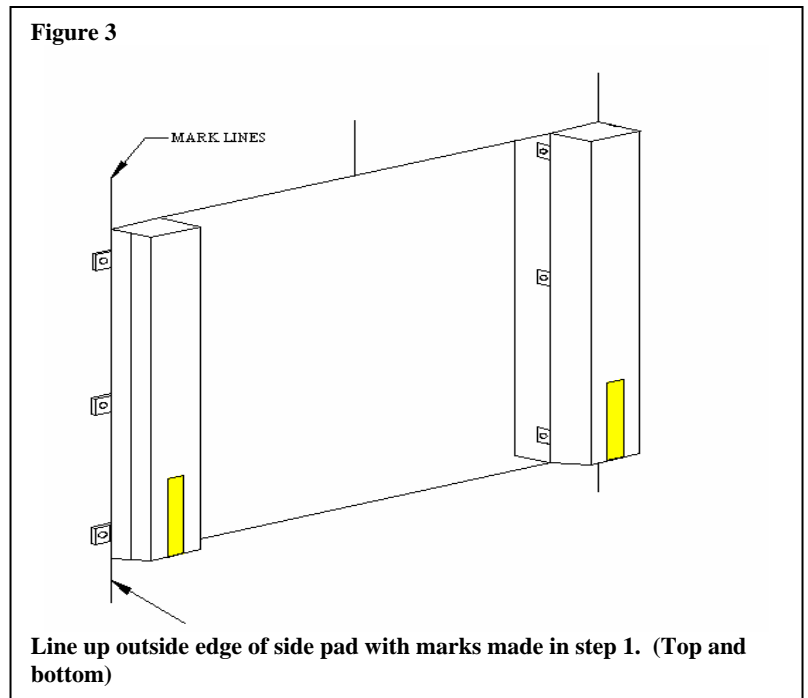
Fasten the angle brackets to the inside edge of the side pads as shown in **Figure 2** using two(2) #14 x 1.5" wood screws for each bracket. Repeat on outside edge of the side pads with flat brackets. Position the brackets so they line up with the mortar joints on block walls.



## 3. Mounting the side pads.

Place one vertical pad in place lining up the outside edge of the side pads with the marks as shown in **Figure 3**. Ensure that the side pads are plumb and sit flush with the building wall. Fasten to building wall using 3/8" x 1-7/8" sleeve anchors supplied. Repeat steps 2 & 3 for the other side pad.

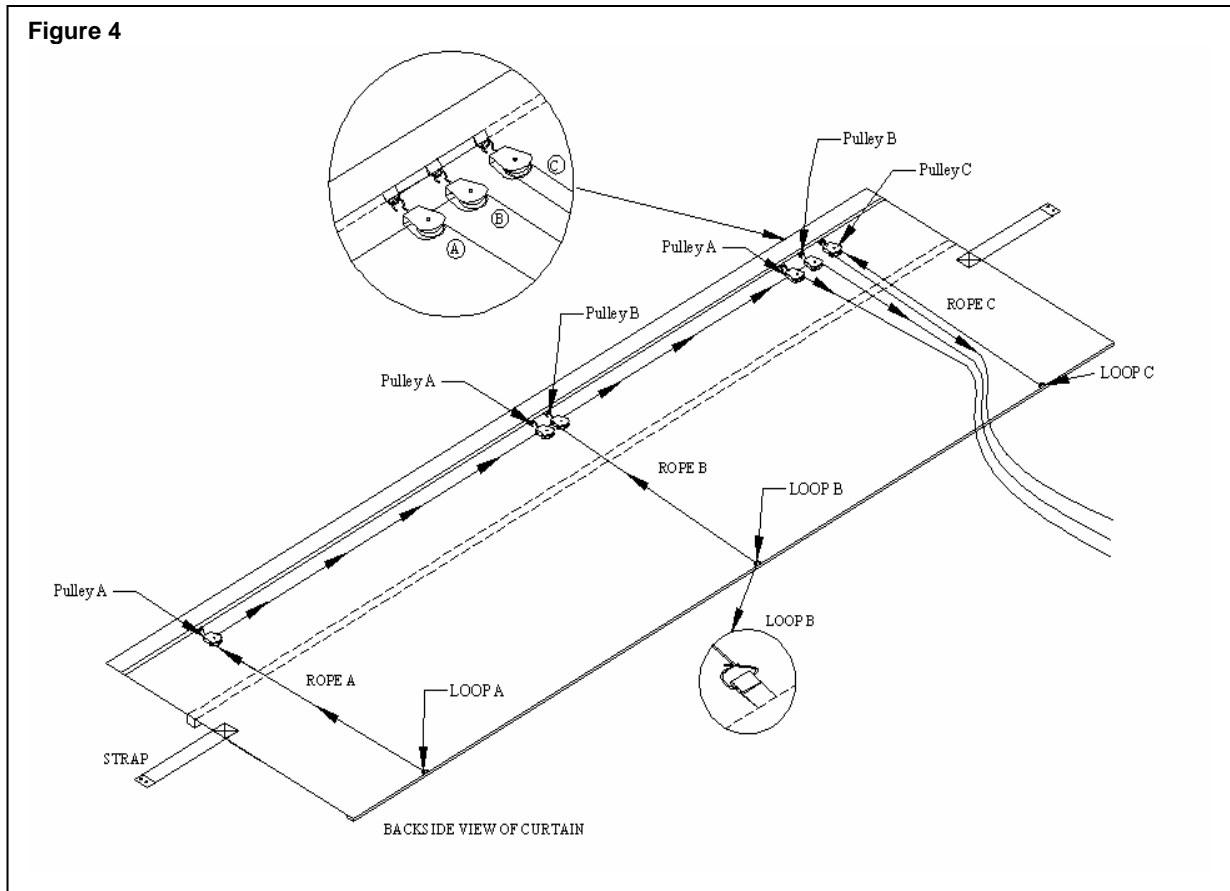
**NOTE:** If side pads do not sit flush with door opening, it may be necessary to use all flat brackets.



#### 4. Repeat steps 2-3 for other pad.

#### 5. Prepare Head Curtain (Adjustable)

Place head curtains pull ropes through the loops that have been already attached on the backside of the curtain. Rope A (17ft) Rope B (15ft) Rope C (13ft).



**Note:** Pulleys and loops are pre-sewn to the backside of head curtain. Lay the head curtain **FACE DOWN** on a clean surface before proceeding.

**Step 1:** Attach **ROPE “C” (shortest rope)** to loop “C” as showed in Figure 4. Feed the rope through “C” pulley in the direction of the arrow.

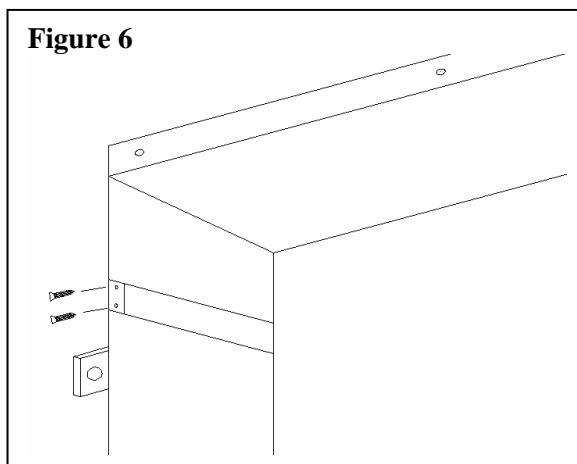
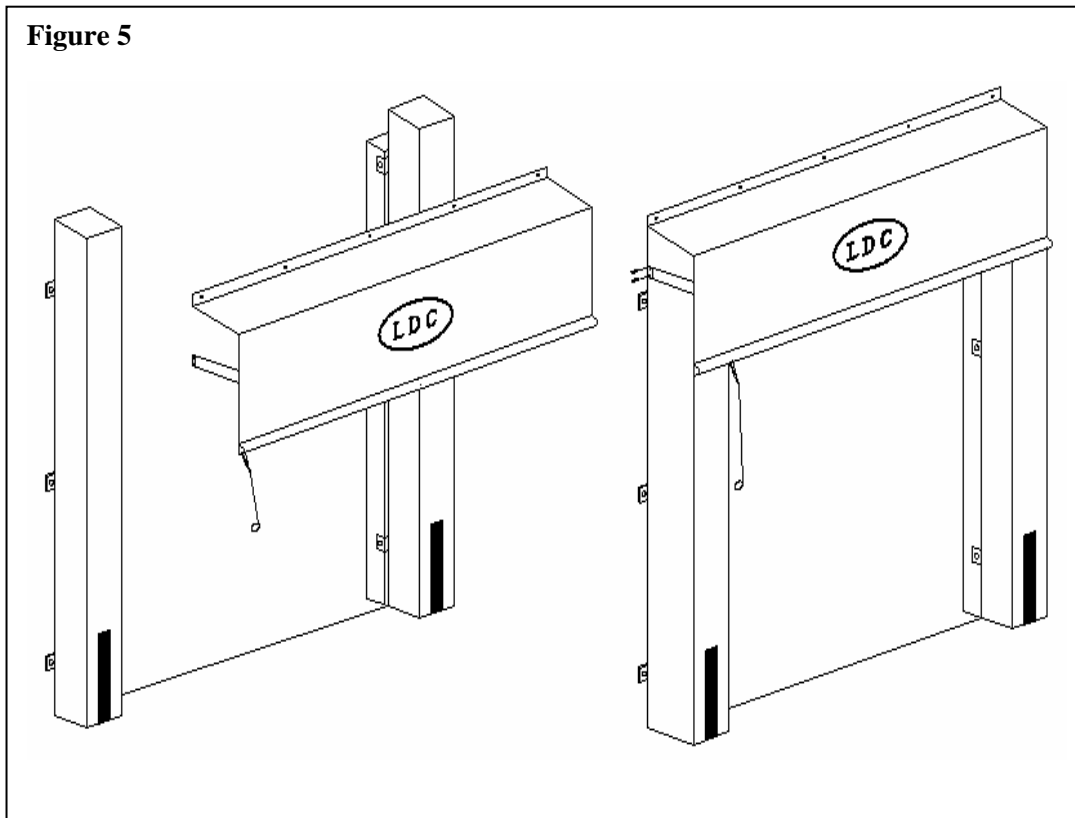
**Step 2:** Attach **ROPE “B”** to loop “B”. Feed through pulley “B” in center of curtain and pulley “B” on right side of curtain.

**Step 3:** Attach **ROPE “A” (longest rope)** to loop “A”. Feed through the three “A” pulleys in the direction of the arrow.

**6. Place head curtain in position on top of side pads and fasten onto the wall.**

Begin at center and work outwards to the end of head unit. Shown in Figure 5

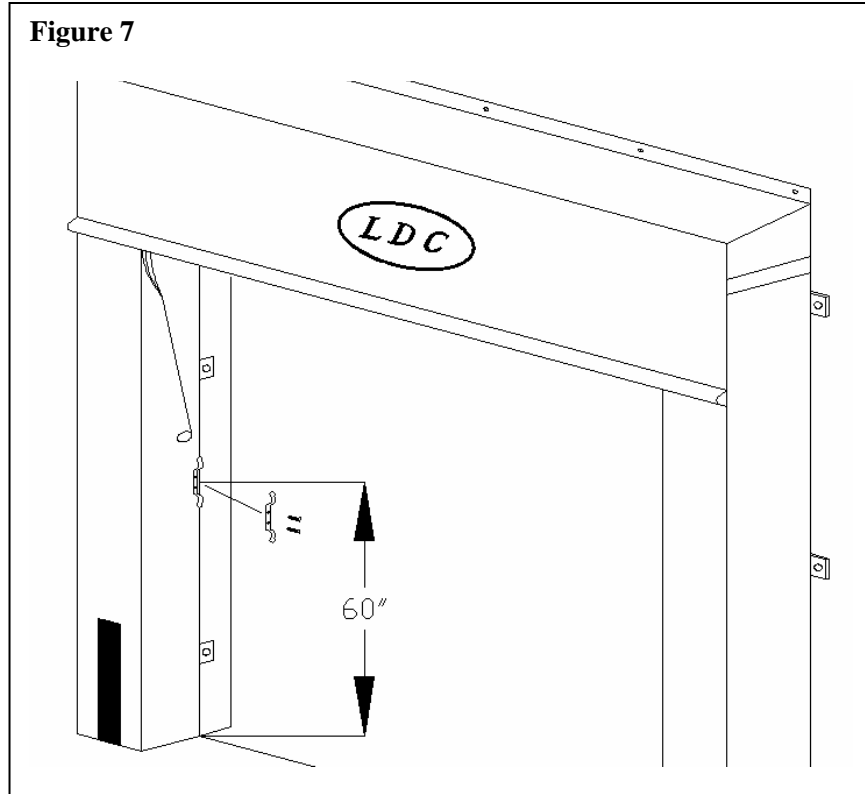
**Note:** -Use five (5) 3/8" x 1 7/8" sleeve anchors for flat bar.  
-Use five (5) 3/8" x 3 sleeve anchors for 2" x 4"



**7. Attaching restraining straps.**

Each head curtain comes with restraining straps. These straps should be pulled snug and folded if necessary, and mounted to the wood backing on the vertical seals. Use roofing nails supplied to attach straps.

**Figure 7**



### **7. Fastening the rope cleat.**

Fasten the cleat to the side of the vertical pad and tie pull rope. The cleat should be no more than 60 inches (5 feet) from the bottom pad. Shown in Figure 7

### **8. Caulking**

Caulk across top of entire unit using a good quality caulking.

### **9. Clean up around dock area when complete.**

### **IMPORTANT NOTE ABOUT CURTAIN OPERATION:**

It is very important to show the customer the correct method to use this product. Ensure that the head curtain is always in the raised position and only lowered after a trailer has docked. The head curtain must then be raised again before the trailer leaves. Failure to follow these procedures will void warranty and result in damage to head curtain.