

Installation Instructions

Model D-325

Loading Dock Company (LDC) LTD
1090 Aerowood Drive, Unit 2-4 Mississauga,
Ontario L4W 1Y5
www.loadingdockcompany.com



LOADING DOCK COMPANY (LDC)

Limited Warranty for all Seals, Shelters, & Inflatables

LDC warrants to the purchaser that, for a period of three hundred and sixty-five (365) days from date of shipment, all seals, shelters and inflatables shall be free from defects in the workmanship and materials. As a condition to making a warranty claim, LDC must be notified in writing of any warranty claim within **ten (10) working days** of the Purchaser identifying the defect and LDC shall be entitled to inspect the defect prior to removal or alteration. If the warranty claim is approved by LDC the defective part shall be returned by the purchaser - **transportation charges pre-paid** – within fifteen (15) days of the approval and if, upon further examination by LDC it is ascertained that said equipment or part thereof is defective in workmanship or material, LDC will deliver to the purchaser – without charge - F.O.B Mississauga, Ontario, parts of proper workmanship and material in exchange for any parts so found to be defective, and the total liability of LDC is limited to said exchange. LDC will undertake to pay the labour costs to uninstall the item of an **approved** warranty claim at labour rates and hours predetermined by LDC. No other costs or damages of any kind will be covered by LDC. This warranty shall **not** apply if in the discretion of LDC there was improper or inadequate installation, improper or inadequate maintenance, any service or adjustment by the customer, or any equipment was repaired or altered by other than LDC or its authorized service representatives. This limited Warranty will **not** apply where the purchaser has not signed off on an **approved LDC Specification Sheet and Survey Sheet.**

Under no circumstances is the purchaser entitled to set-off a warranty deduction against a payment otherwise owed to LDC until such warranty claim has been approved and credit has been issued by LDC. The warranty is invalidated if a set-off is claimed prior to approval of the warranty claim.

These warranties are the only warranties given by LDC and there are no other warranties, expressed or implied, at law or in equity whatsoever, including without limitation: warranties of merchantability and fitness for particular purpose, any other representations to the purchaser, verbal or otherwise. LDC shall not be responsible for any obligations or liabilities other than workmanship and materials, including liability for incidental and consequential damages. No person, whether employed or an agent of LDC or not, is authorized to give any other warranties or assume any liability on behalf of LDC unless made or assumed in writing by LDC.



WARNING!!!

Post safety warning and barricade work area, at dock level and ground level to prevent unauthorized use of the dock position while service work is being performed.

Parts List

1 Head Frame c/w torsion

spring and header air bag (assembled)

1 Trim Angle

2 Vertical Side pads

1 Header Storage Curtain

1 1/6" HP motor &

Blower assembly

2 Galvanized side supports

Hardware List – Wood Frame

1 Pilot Light

1 Metal Box

1 Metal Face plate

50 #14 x 1 1/2" Wood Screws

4 - 3/8" x 3" Sleeve anchors

6 flat bracket

15 Roofing nails

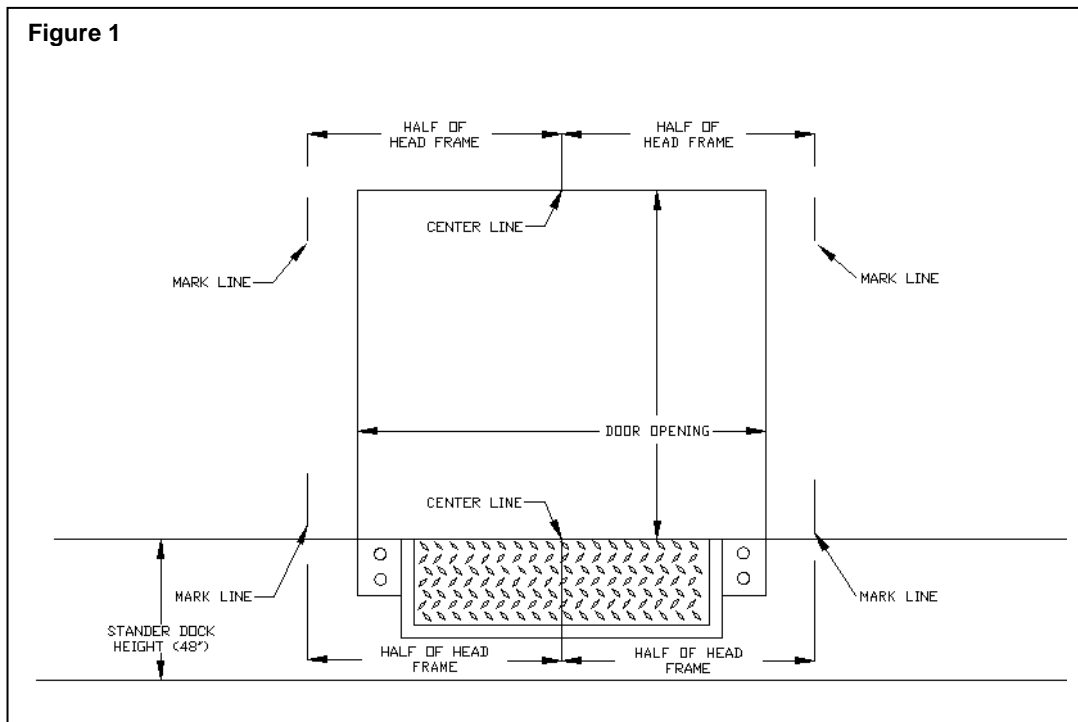
6 angle brackets

20 3/8" x 1 7/8" Sleeve anchors

Instructions:

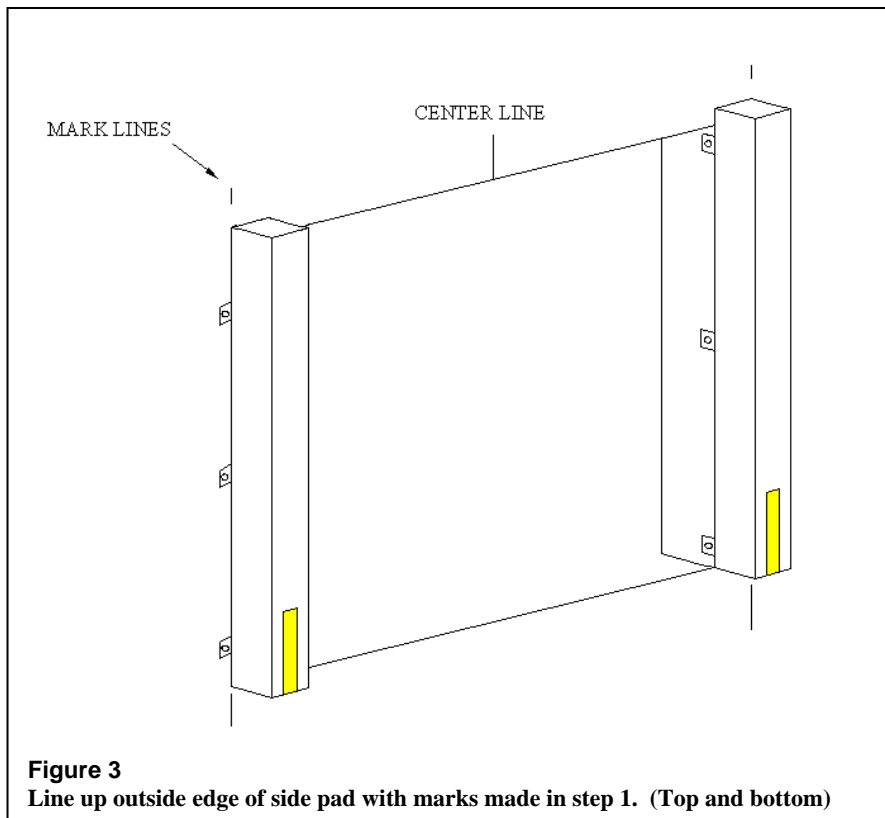
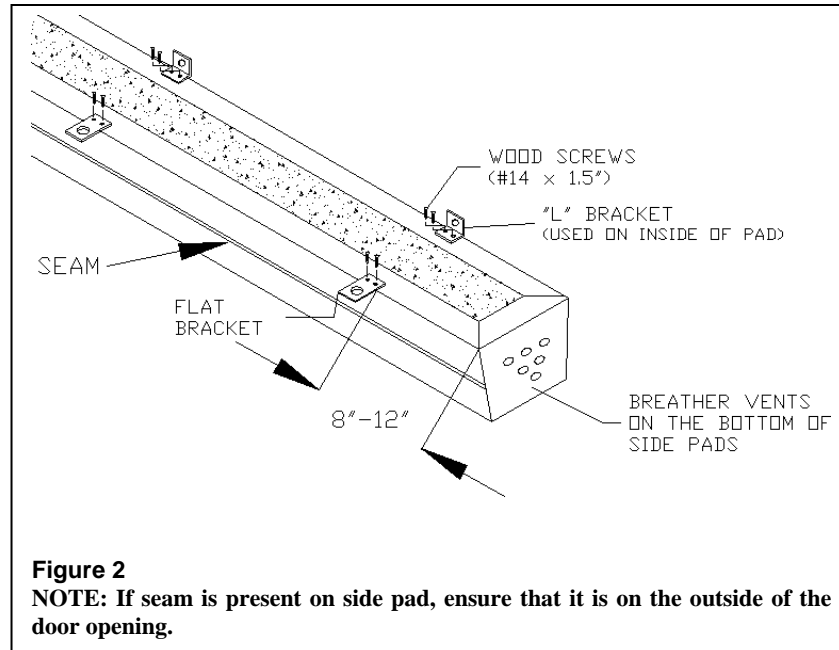
1. Marking and mounting locations for side pads and side supports.

Measure one half of the top frame length. From the center line of the door opening (top & bottom) mark out the location of the outside of the side pads and side supports as shown in **Figure 1**. Repeat for the other side pads and side supports.



2. Attaching the brackets to the side pads.

Fasten the angle brackets (3) to the inside edge of the side pads as shown in **Figure 2** using two(2) #14 x 1.5" wood screws for each bracket. Repeat on outside edge of the side pads with flat brackets (3). Position the brackets so they line up with the mortar joints on block walls.

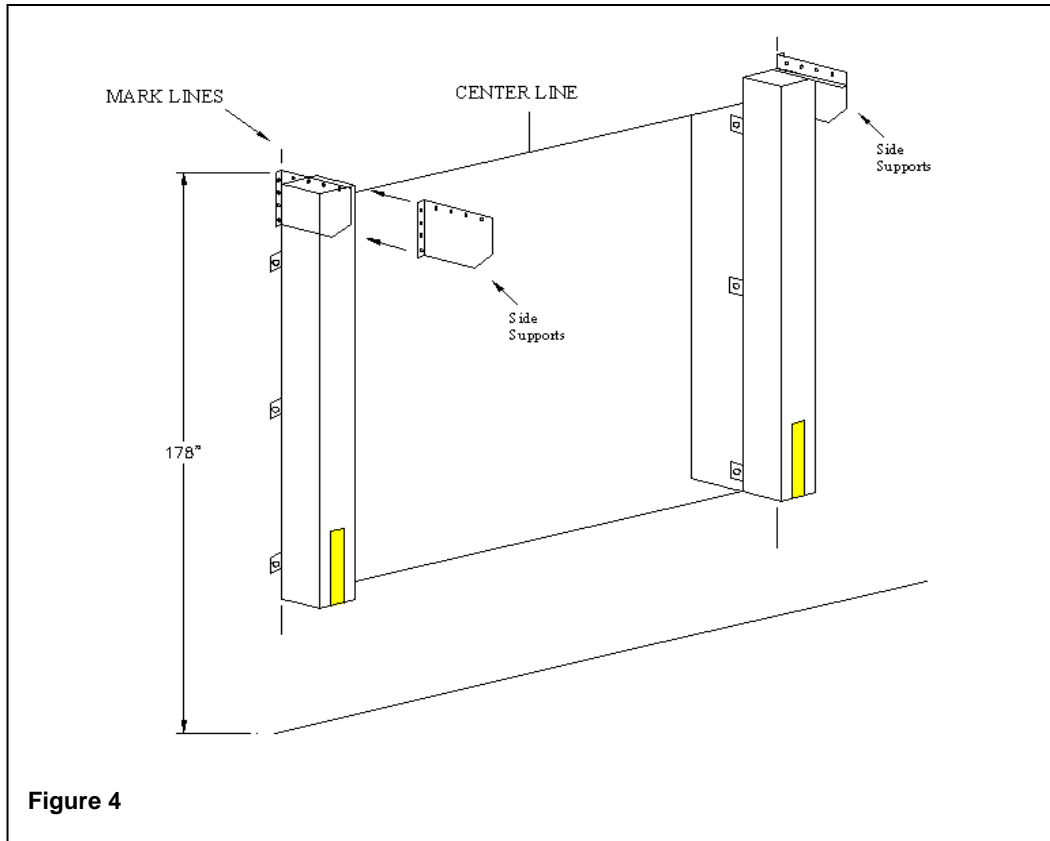


3. Mounting the side pads.

Place one vertical pad in place lining up the outside edge of the side pads with the marks as shown in **Figure 3**. Ensure that the side pads are plumb and sit flush with the building wall. Fasten to building wall using 3/8" x 1-7/8" sleeve anchors supplied. Repeat steps 2 & 3 for the other side pad.

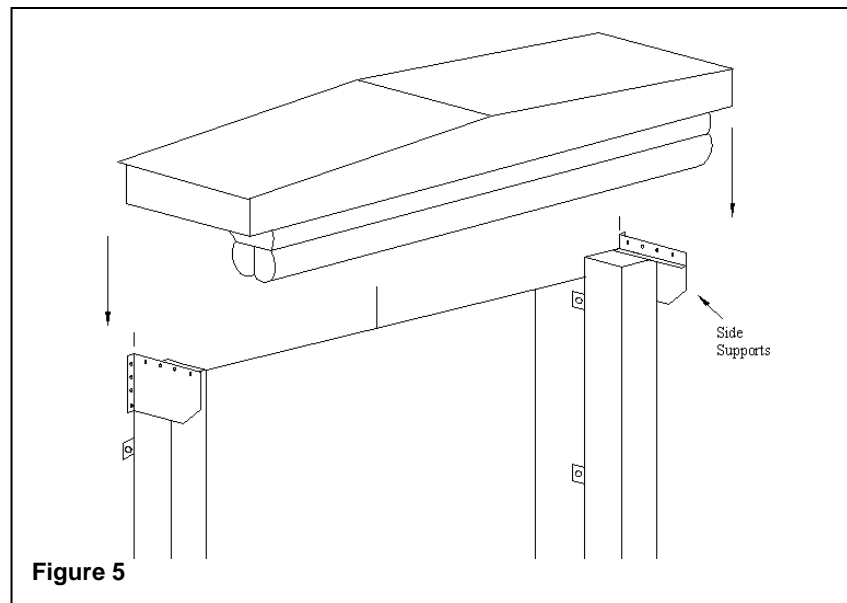
4. Attaching the side supports to the wall.

Place inside edge of side support on mark made in step 1. Mount galvanized side support at 178" from the grade to the top of the support. Fasten using four (4) 3/8" x 1-7/8" sleeve anchors. (Repeat for other side) **Figure 4**



5. Attaching head frames to the wall and side support.

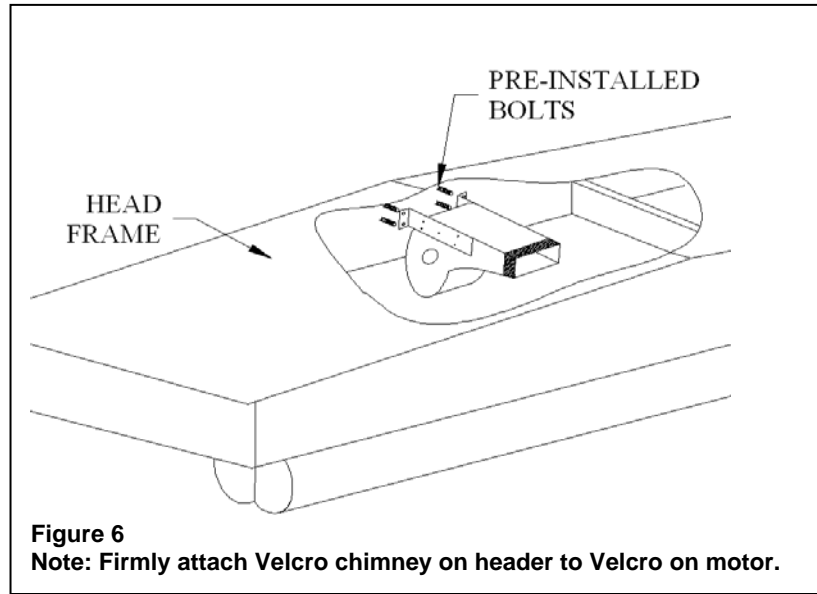
Mount the head frame on top of the two support angles on inside edge of side supports and fasten frame to the wall using 4 - 3/8" x 3" sleeve anchors supplied. Also attach head frame to galvanized side supports with #14 x 1.5" wood screws supplied. **Figure 5.**



6. Mounting blower

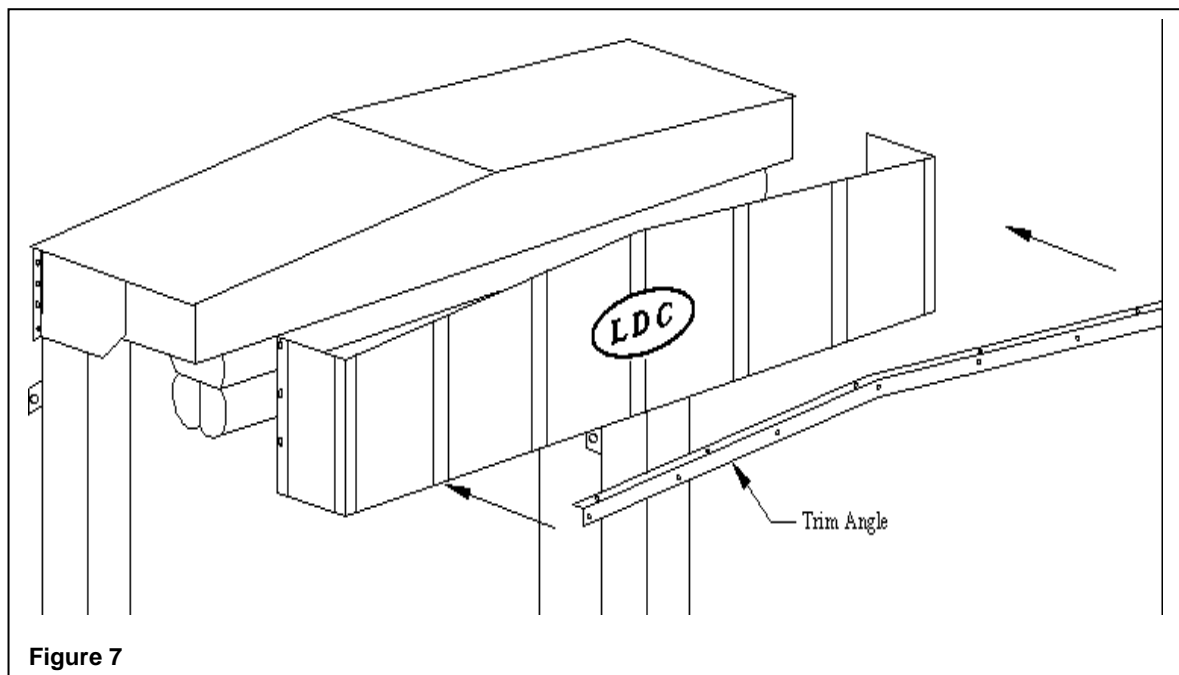
At the rear of head frame mount blower onto carriage bolts pre-drilled and supplied by factory.

Figure 6



7. Attaching head curtain.

Attach head curtain to head frame using roofing nails supplied. Fasten galvanized trim angle supplied using #14 x 1.5" wood screws (Note: ensure that wood screws fasten through stiffeners in head curtain). **Figure 7. Important Note:** You MUST ensure that the fasteners penetrate the stiffeners. It is necessary to pre-drill the stiffeners to prevent them from splitting.



8. Caulking.

Caulk across the top of the head pad using a good quality caulking.

9. Clean up around dock area when complete.



LOADING DOCK COMPANY (LDC)

Visit us At: www.loadingdockcompany.com

NOTES: