

# Installation Instructions

Model D-400  
E-400



## WARNING!!!

Post safety warning and barricade work area, at dock level and ground level to prevent unauthorized use of the dock position while service work is being performed.

### Parts List

- |  |   |
|--|---|
| <input type="checkbox"/> 1 Head Frame                        | <input type="checkbox"/> 3 Trim Angles      |
| <input type="checkbox"/> 2 Side Frames c/w Top Brackets      | <input type="checkbox"/> 2 Steel Guards     |
| <input type="checkbox"/> 1 Head Curtain c/w Holdback straps  | <input type="checkbox"/> 2 Foam Bottom Buns |
| <input type="checkbox"/> 2 Side Curtains c/w Vertical Straps |   |

#### Hardware – Wood Frame

- 15 - 3/8" x 3" Sleeve Anchors
- 60 Roofing Nails
- 50 #14 x 1 1/2" Wood Screws
- 8 5/8" x 4 1/2" wedge anchors (D400)
- 1 Installation Instruction

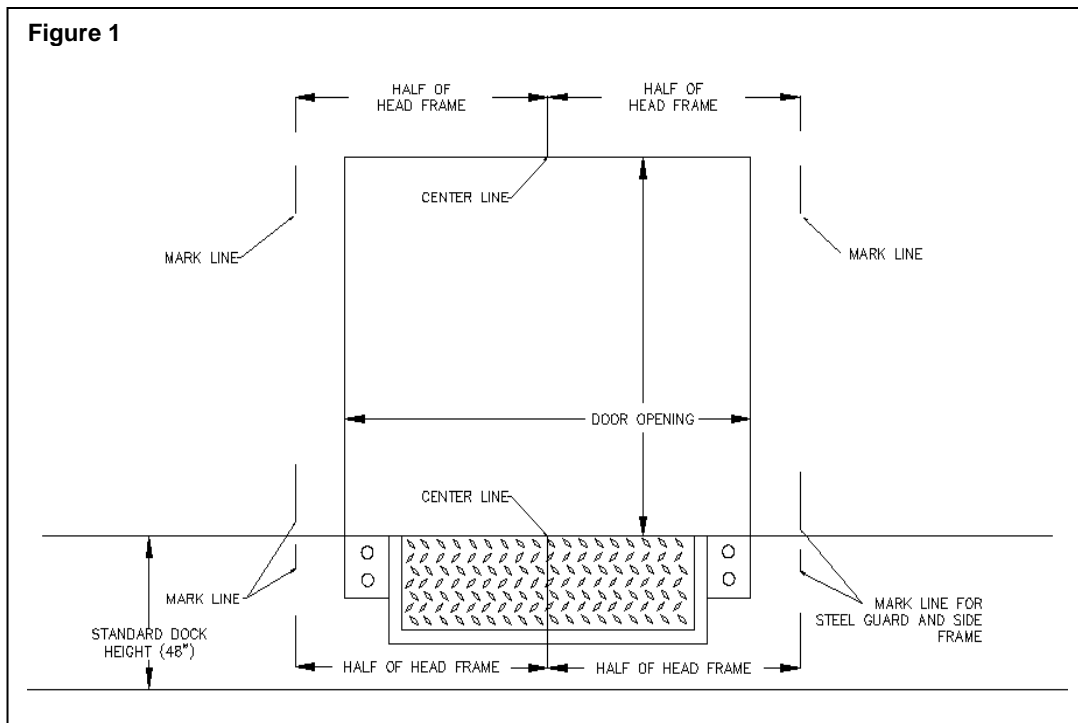
#### Hardware – Galvanized Frame

- 15 - 3/8" x 4" Sleeve Anchors
- 60 #14 x 1" Tek Screws
- 8 5/8" x 4 1/2" wedge anchors (D400)
- 1 Installation Instruction

## Instructions:

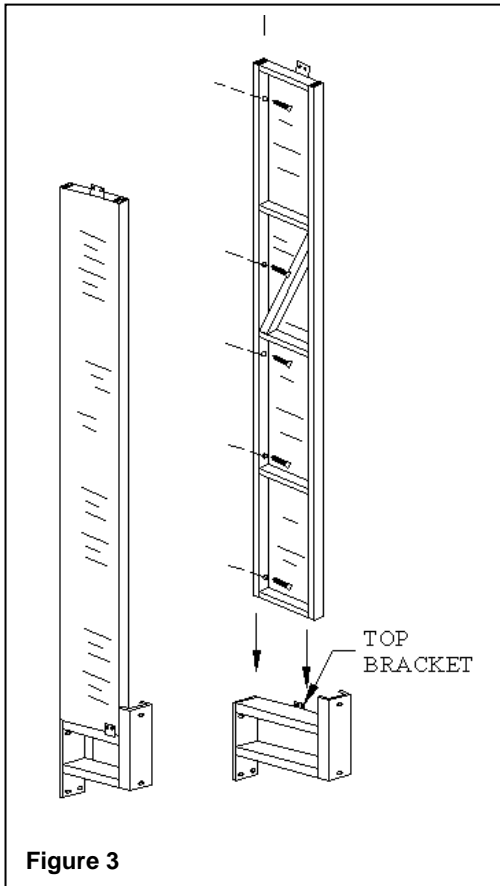
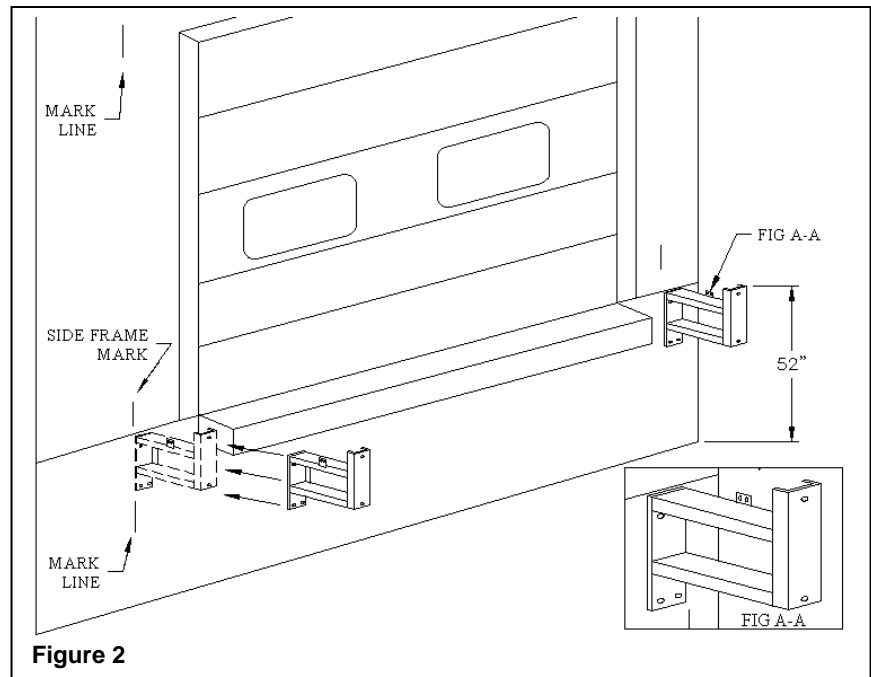
### 1. Marking and mounting locations for side frames and steel guards.

Measure one half of the top frame length. From the center line of the door opening (top & bottom) mark out the location of the outside of the side frames and steel guards as shown in **Figure 1**. Repeat for the other side frame and steel guard location.



## 2. Attaching the steel guards to the wall.

Using four (4) 5/8" x 4 1/2" wedge anchors, mount steel guards on the building foundation so that the outside edge of the back plate is flush with mark made in step #1. Make sure that the front channel on the steel guard is 52" off grade figure 2. **Note:** Be sure to mount the steel guards with the top bracket towards the outside. (Figure A-A)



## 3. Attaching side frames to the wall.

Place one vertical frame in place lining up the outside edge of the side frame with the marks as shown in Figure 1. Ensure that the side frames are plumb and sit flush with the building wall. Also make sure the bottom of the side frame sits flush with the outside edge steel guard. Fasten each frame to building wall using five (5) 3/8" x 3" sleeve anchors supplied for wood frames. For galvanized frame use 3/8" x 4" sleeve anchors.

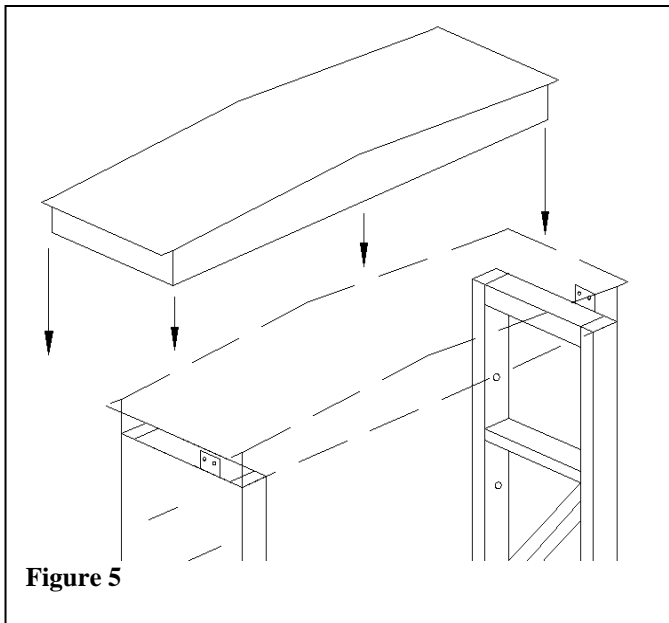
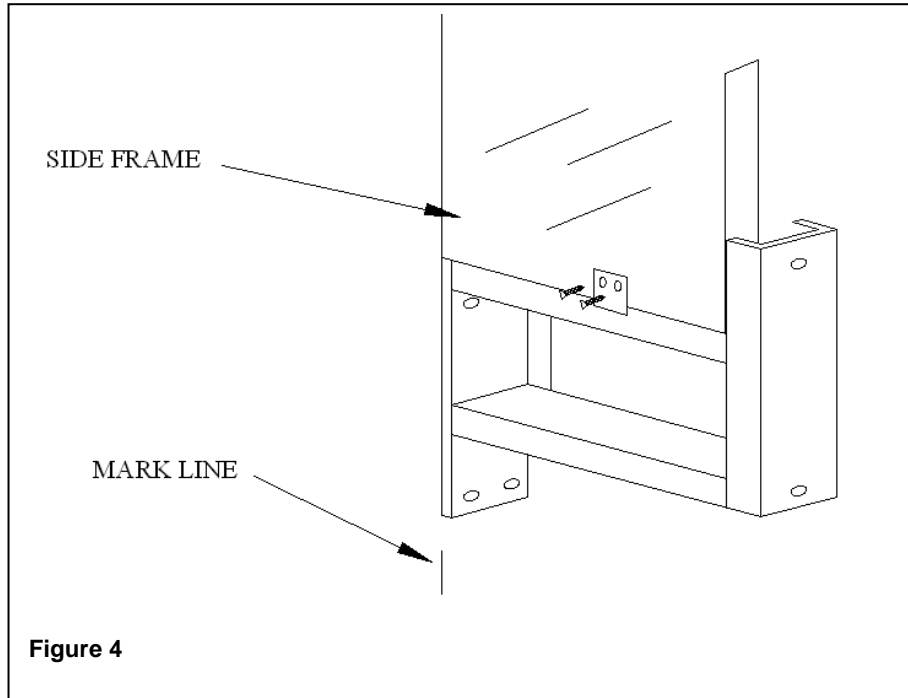
### Figure 3

## 4. Repeat steps 2-3 for other side frame.

**Note:** It may be necessary to thru-bolt on siding wall to secure frames properly.

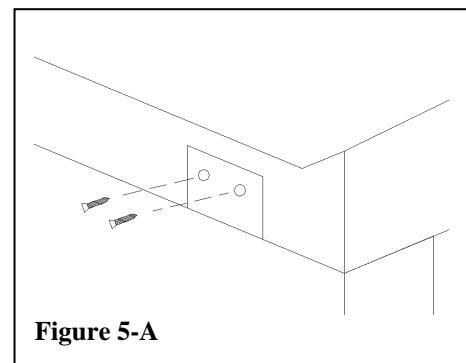
## 5. Attach side frame to steel guards.

Secure side frames to steel guards using two #14 x 1 ½" wood screws for wood frame, or two #14 x 1" Tek screws for galvanized frames. Figure 4



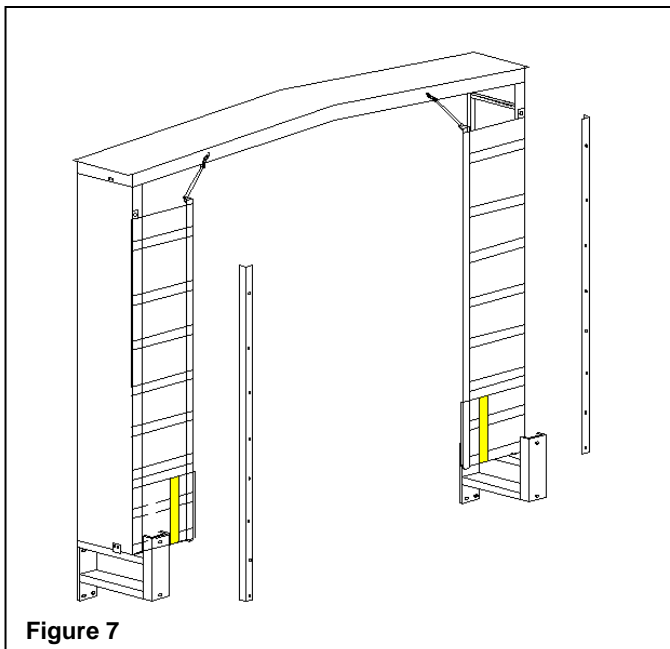
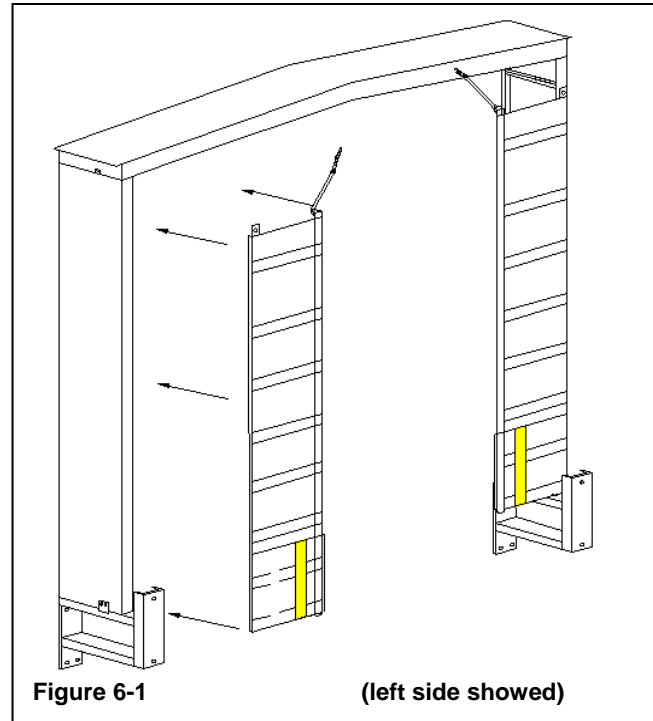
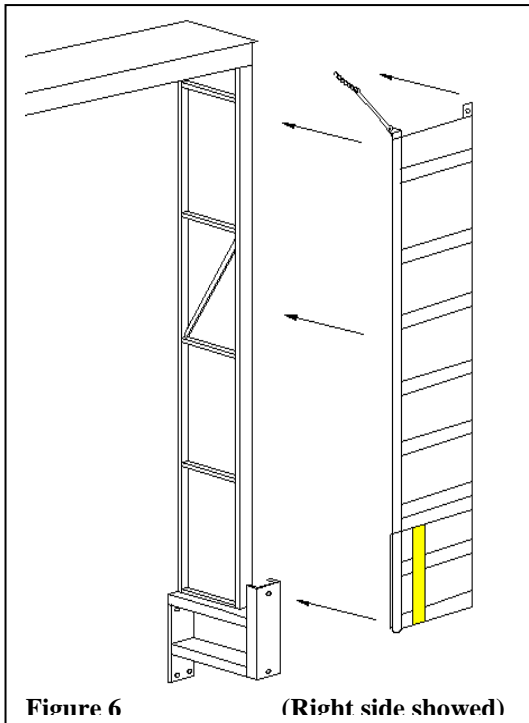
## 6. Mount top frame to wall.

Place head frame on top of vertical frames and fasten to the building (as shown in **Figure 5 and 5-A**) wall using five (5) 3/8" 3" sleeve anchors, for wood frame or five (5) 3/8" x 4" sleeve anchors for galvanized frames. Fasten top bracket on side frame to side of top frame using #14 x 1.5" wood screws for wood frame or #14 x 1" tek screws for galvanized frame.



## 7. Attaching side and head curtains to frame.

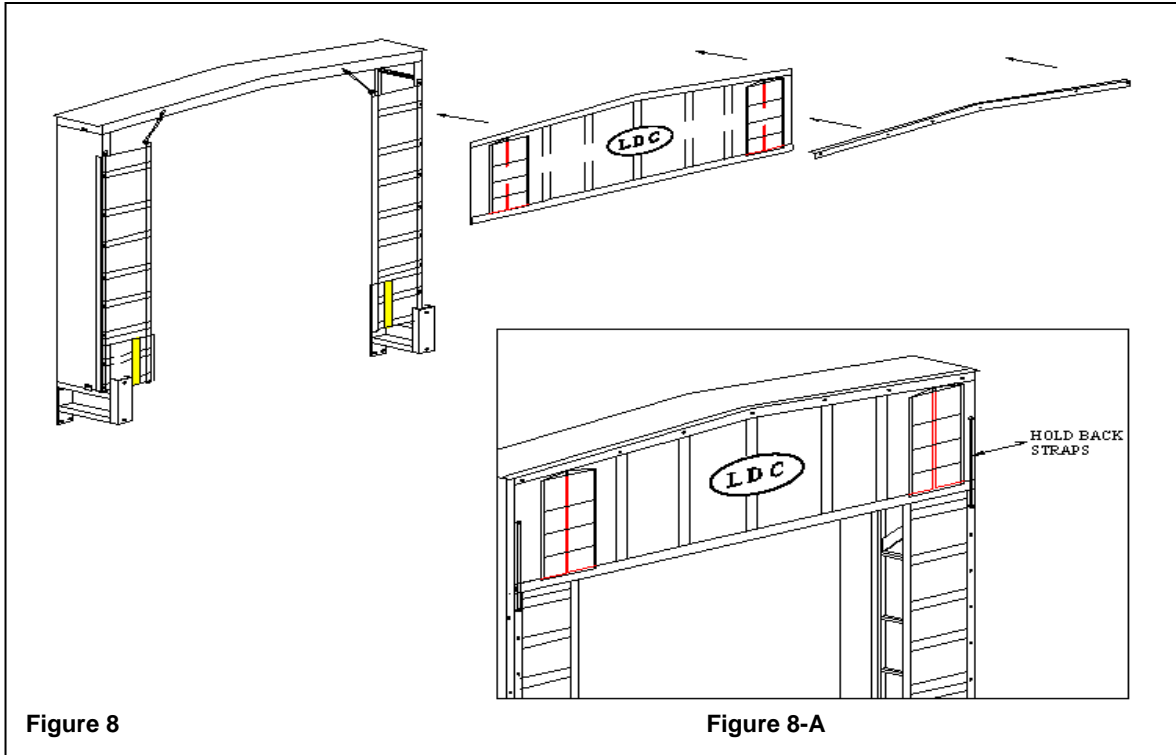
7A) Attach the side curtains to the side frames using roofing nails supplied for wood frame. For galvanized frame fasten side curtain to side frame thru grommet in top of side curtain using one #14 x 1" Tek screw. Make sure side curtain sits flush with bottom of side frames. **Figure 6 and Figure 6-1.** Attach the top straps on the side curtain to the head frame as shown in **figure 7.**



7B) Secure each side curtain to frame using one 1.5" x 2.5" trim angle supplied (**figure 7**) Fasten using #14 x 1.5" wood screws for wood frames or #14 x 1" tek screws for galvanized frames. The trim angle has been pre-drilled to suit the curtains. Make sure that the holes in the trim angles line up with the stiffeners in the curtain. **Figure 7**

**Important Note:** You MUST ensure that the fasteners penetrate the stiffeners. It is necessary to pre-drill the stiffeners to prevent them from splitting.

Follow steps 7 & 8 for head curtain. **Figure 8.**



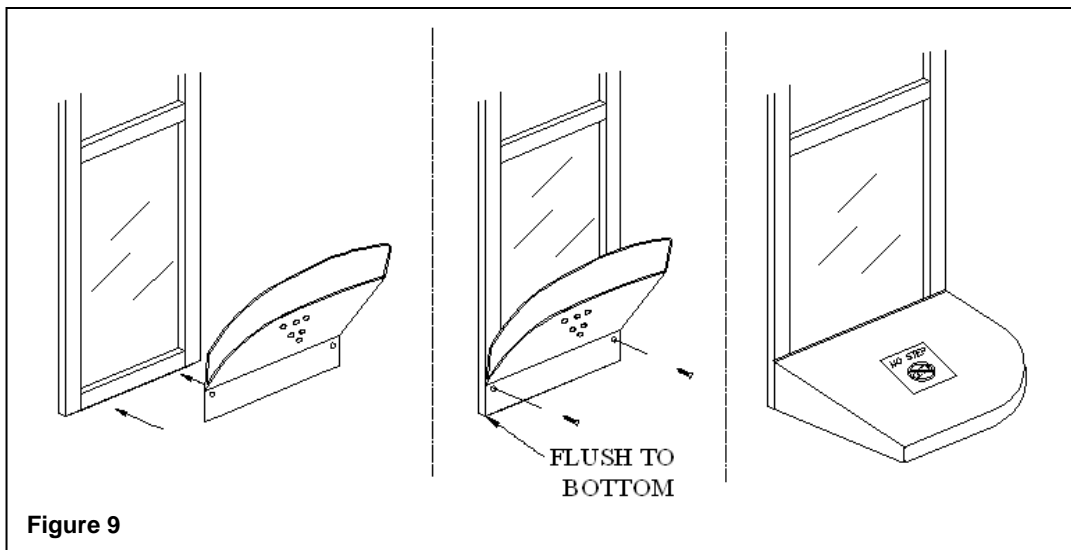
### 8. Attaching wind straps.

Attach the hold back straps on the sides of the head curtain to the side frames as shown in **Figure 8-A**.

### 9. Bottom Pads.

Attach the bottom buns to the bottom of the side frames using two #14 x 1.5" wood screws supplied. (Air vents on bottom) For galvanized frame use #14 x 1" tek screws.

**Figure 9**



**10. Caulking.**

Caulk across the top of the head pad using a good quality caulking.

**11. Clean up around dock area when complete.**

**NOTES**