

Installation Instructions

Model D-450

Loading Dock Company (LDC) Ltd
1090 Aerowood Drive, Unit 2-4 Mississauga,
Ontario L4W 1Y5
www.loadingdockcompany.com



LOADING DOCK COMPANY (LDC)

Limited Warranty for all Seals, Shelters, & Inflatables

LDC warrants to the purchaser that, for a period of three hundred and sixty-five (365) days from date of shipment, all seals, shelters and inflatables shall be free from defects in the workmanship and materials. As a condition to making a warranty claim, LDC must be notified in writing of any warranty claim within **ten (10) working days** of the Purchaser identifying the defect and LDC shall be entitled to inspect the defect prior to removal or alteration. If the warranty claim is approved by LDC the defective part shall be returned by the purchaser - **transportation charges pre-paid** – within fifteen (15) days of the approval and if, upon further examination by LDC it is ascertained that said equipment or part thereof is defective in workmanship or material, LDC will deliver to the purchaser – without charge - F.O.B Mississauga, Ontario, parts of proper workmanship and material in exchange for any parts so found to be defective, and the total liability of LDC is limited to said exchange. LDC will undertake to pay the labour costs to uninstall the item of an **approved** warranty claim at labour rates and hours predetermined by LDC. No other costs or damages of any kind will be covered by LDC. This warranty shall **not** apply if in the discretion of LDC there was improper or inadequate installation, improper or inadequate maintenance, any service or adjustment by the customer, or any equipment was repaired or altered by other than LDC or its authorized service representatives. This limited Warranty will **not** apply where the purchaser has not signed off on an **approved LDC Specification Sheet and Survey Sheet**.

Under no circumstances is the purchaser entitled to set-off a warranty deduction against a payment otherwise owed to LDC until such warranty claim has been approved and credit has been issued by LDC. The warranty is invalidated if a set-off is claimed prior to approval of the warranty claim.

These warranties are the only warranties given by LDC and there are no other warranties, expressed or implied, at law or in equity whatsoever, including without limitation: warranties of merchantability and fitness for particular purpose, any other representations to the purchaser, verbal or otherwise. LDC shall not be responsible for any obligations or liabilities other than workmanship and materials, including liability for incidental and consequential damages. No person, whether employed or an agent of LDC or not, is authorized to give any other warranties or assume any liability on behalf of LDC unless made or assumed in writing by LDC.



WARNING!!!

Post safety warning and barricade work area, at dock level and ground level to prevent unauthorized use of the dock position while service work is being performed.

Parts List

- | | |
|---|--|
| <input type="checkbox"/> 1 Head Frame c/w air bag | <input type="checkbox"/> 3 Trim Angles |
| <input type="checkbox"/> 2 Side Frames c/w air bags | <input type="checkbox"/> 2 Steel Guards |
| <input type="checkbox"/> 1 Top storage Curtain | <input type="checkbox"/> 2 Foam Bottom Buns |
| <input type="checkbox"/> 2 Side storage Curtains | <input type="checkbox"/> 1 ½ H.P motor / blower assembly |

Hardware – Wood Frame

- 12 - 3/8" x 3" Sleeve Anchors
- 25 Roofing Nails
- 48 #14 x 1 ½" Wood Screws
- 2 6" hose clamps
- 8 5/8" X 4 ½" wedge anchors
- 1 Installation Instruction

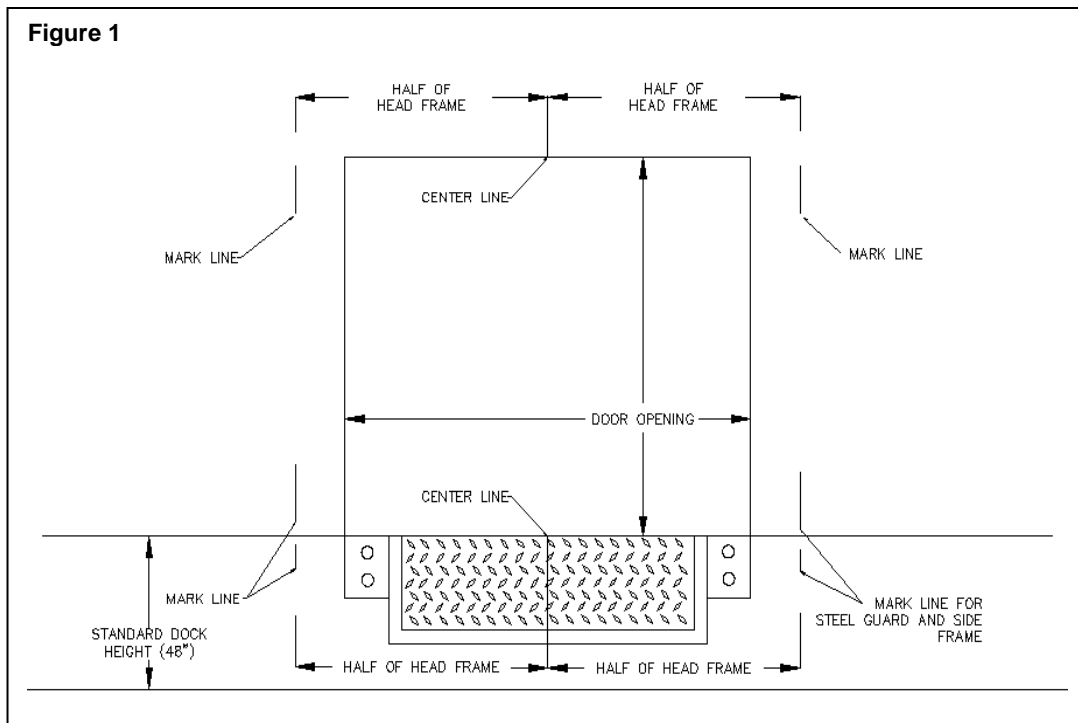
Hardware – Galvanized Frame

- 15 - 3/8" x 4" Sleeve Anchors
- 60 #14 x 1" Tek Screws
- 8 5/8" x 4 ½" wedge anchors
- 2 6" hose clamps
- 1 Installation Instruction

Instructions:

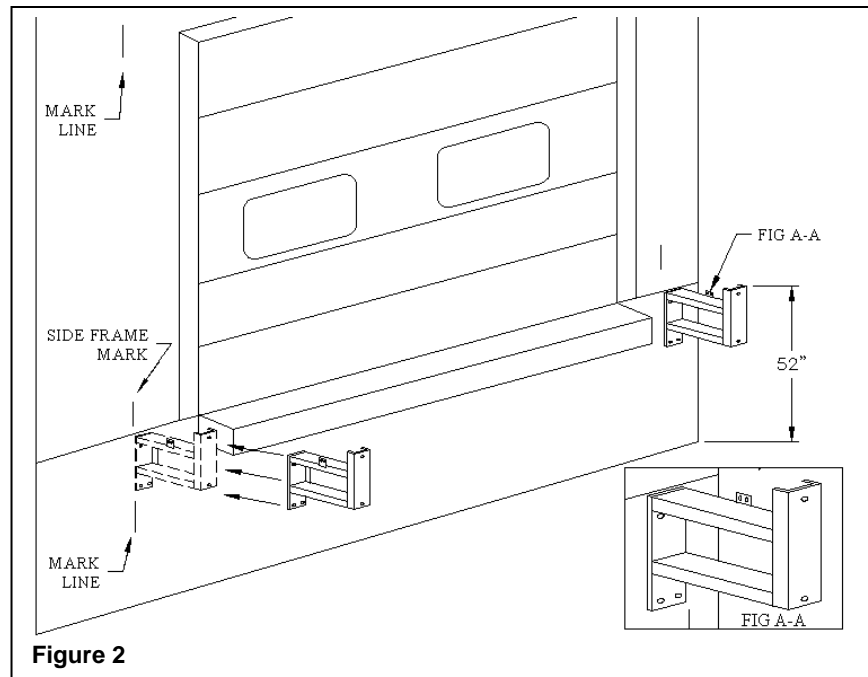
1. Marking and mounting locations for side frames and brackets.

Measure one half of the top frame length. From the center line of the door opening (top & bottom) mark out the location of the outside of the side frames and steel guards as shown in **Figure 1**. Repeat for the other side frame and steel guard location.



2. Attaching the steel brackets to the wall.

Using four (4) 5/8" x 4 1/2" wedge anchors, mount steel guards on the building foundation so that the outside edge of the back plate is flush with mark made in step #1. Make sure that the front channel on the steel guard is 52" off grade figure 2. **Note:** Be sure to mount the steel guards with the top bracket towards the outside)

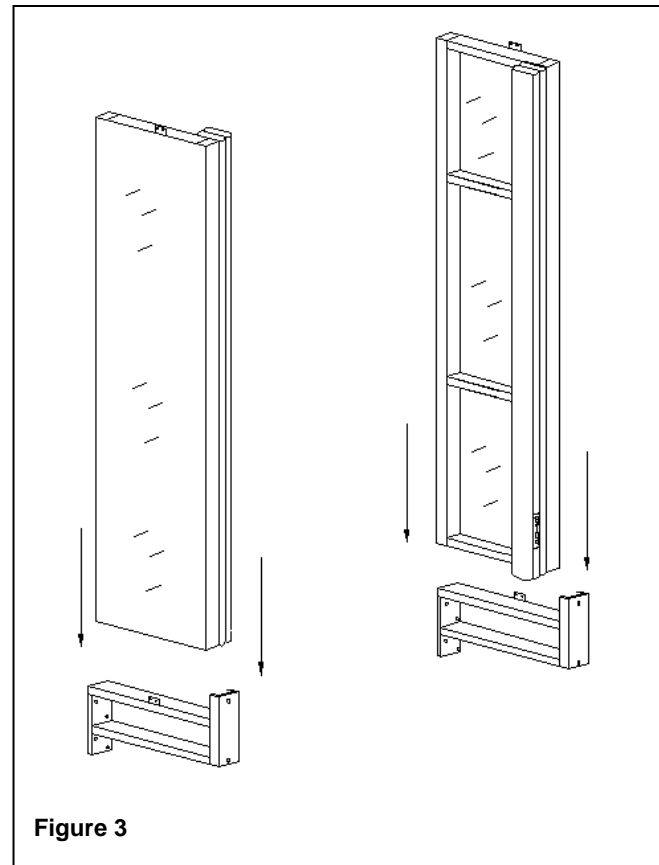


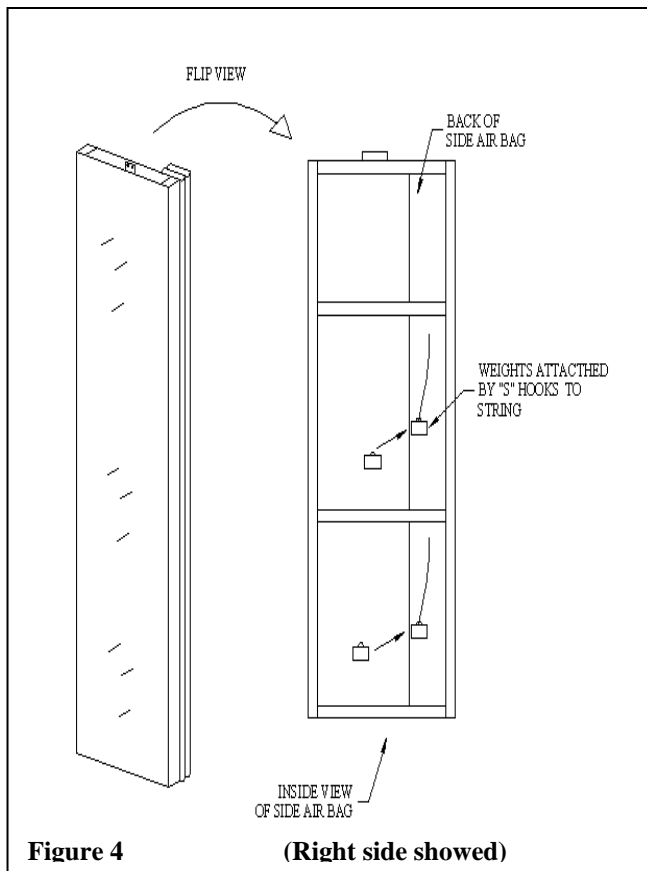
3. Attaching side frames to the wall.

Place one vertical frame in place lining up the outside edge of the side frame with the marks as shown in **Figure 1**. Ensure that the side frames are plumb and sit flush with the building wall. Also make sure the bottom of the side frame sits flush with the outside edge steel guard. Fasten each frame to building wall using five (5) 3/8" x 3" sleeve anchors supplied for wood frames. For galvanized frame use 3/8" x 4" sleeve anchors. Repeat steps 2 & 3 for the other side frame. **Figure 3**

4. Repeat steps 2-3 for other side frame.

Note: It may be necessary to thru-bolt on siding wall to secure frames properly.



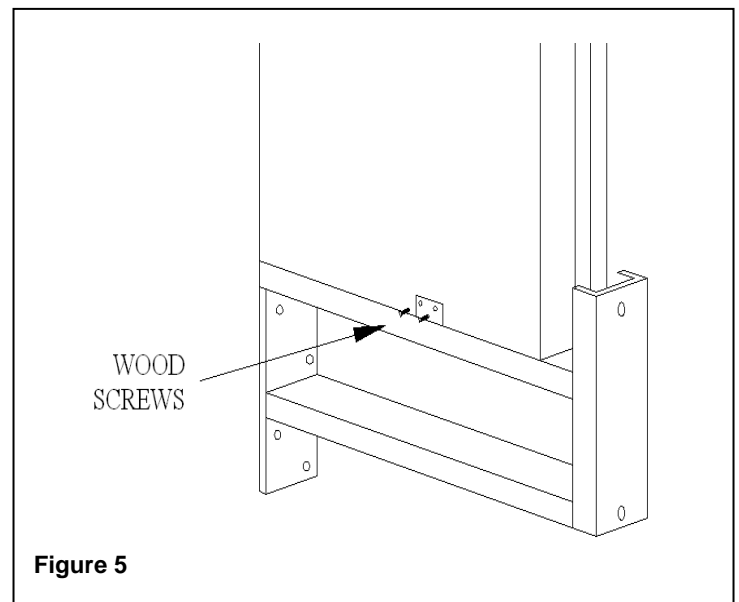


5. Attaching weights to side frames.

Add the supplied weights (two per side) to the inside of the side air bags. Connect each weight to the “S” hook attached to rope that is hanging from the brass pulley’s behind air bags, then close “S” hook. **Figure 4. Repeat for other side air bag.**

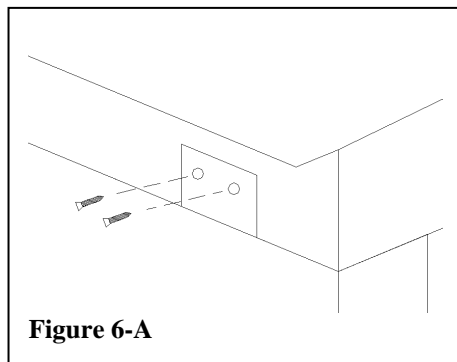
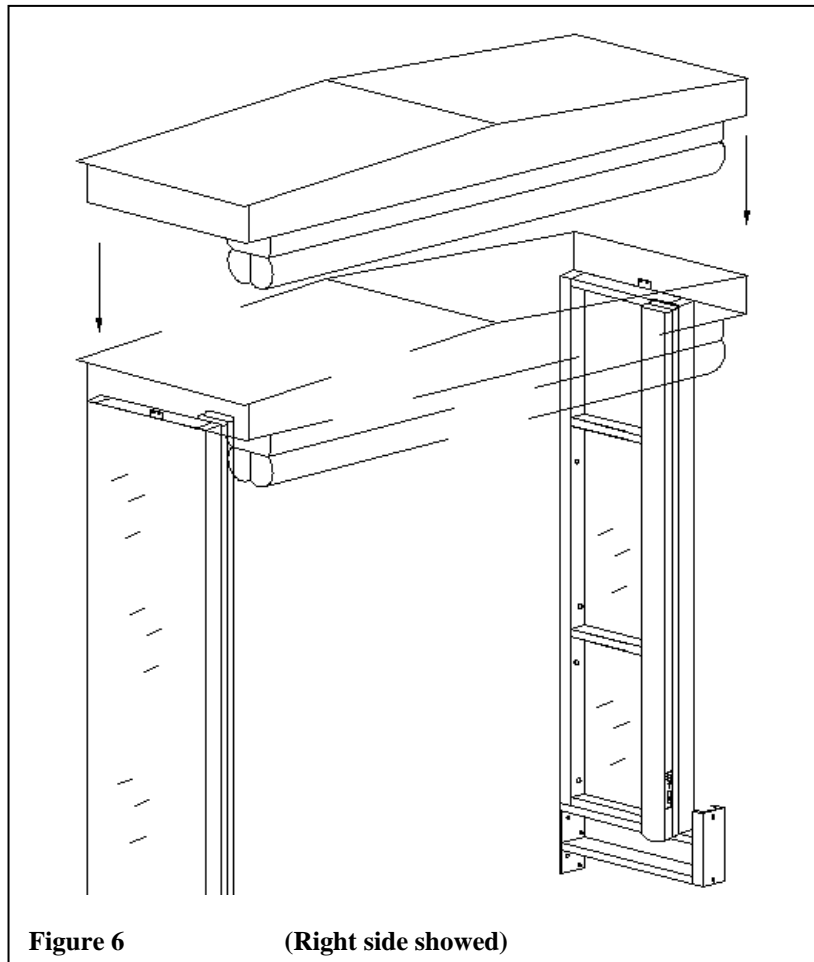
6. Attach side frame to steel guards.

Secure side frames to steel guards using two #14 x 1 ½” wood screws for wood frame, or two #14 x 1” Tek screws for galvanized frames. Figure 5



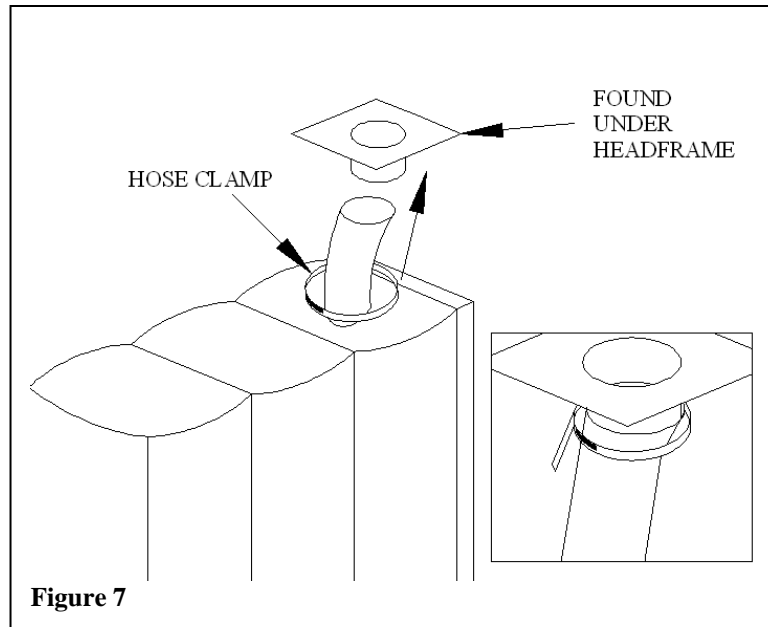
7. Mount top frame to wall.

Place head frame on top of vertical frames and fasten to the building wall using five 3/8" 3" sleeve anchors. Fasten top bracket on side frame to side of top frame using #14 x 1.5" wood screws. As showed in Figure 6 and 6-A



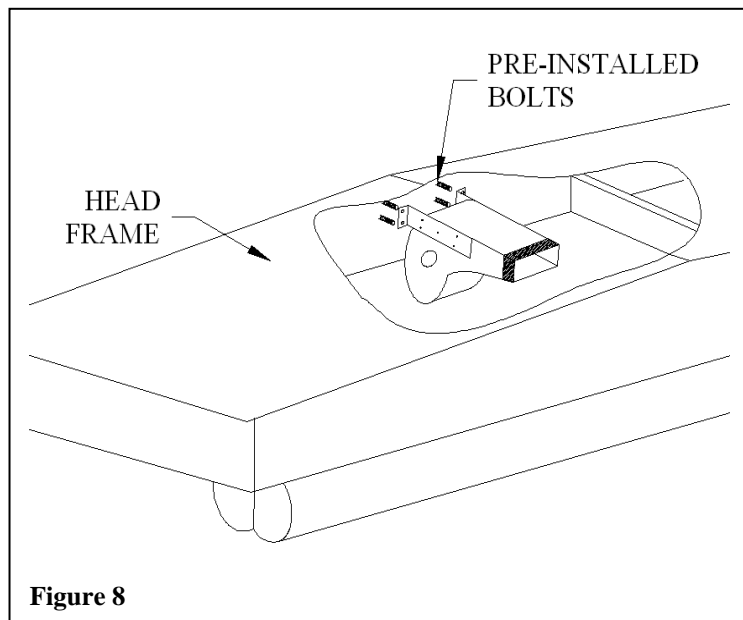
8. Air Duct Connection

Secure air connection from vertical air bags to galvanized air ducts in head frame using 6" hose clamps provided. Repeat for other side air bag. **Figure 7**



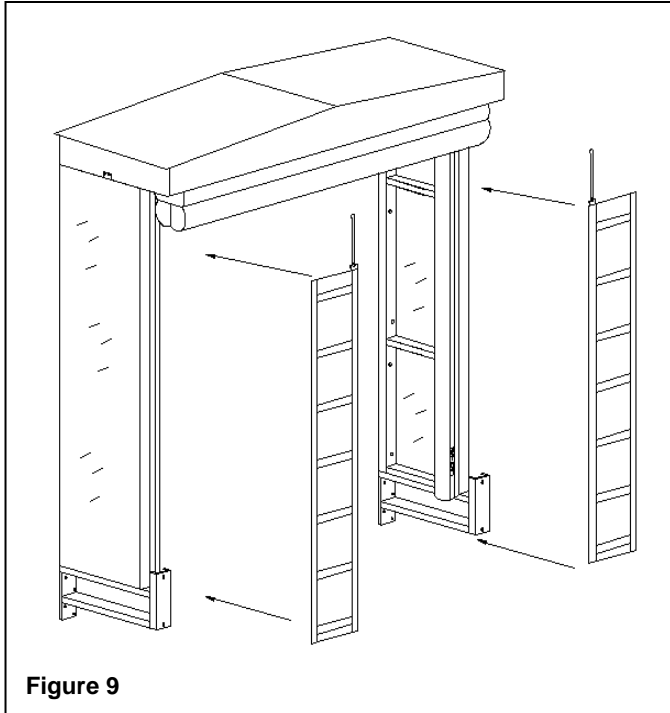
9. Mounting blower

At the rear of head frame mount blower onto carriage bolts pre-drilled and supplied by factory. **Figure 8**

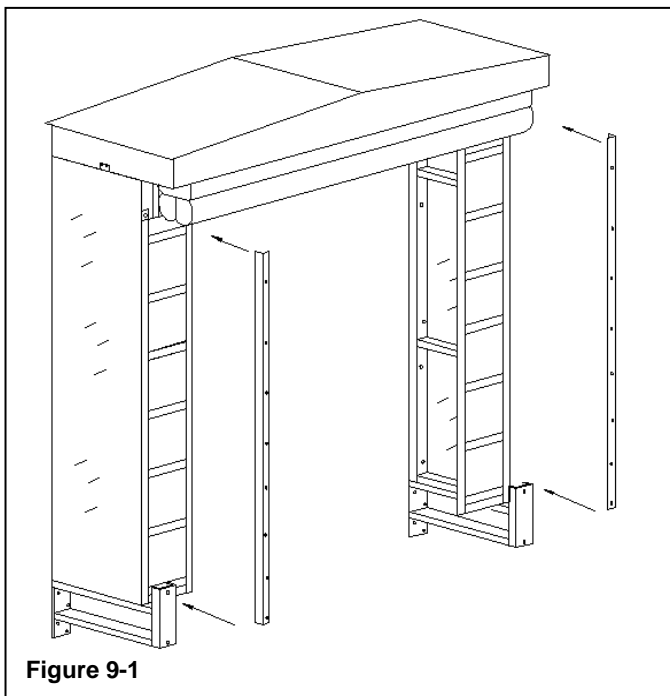


10. Attaching side and head curtains to frame.

10A) Attach the side curtains to the side frames using roofing nails supplied for wood frame. For galvanized frame fasten side curtain to side frame thru grommet in top of side curtain using one #14 x 1" Tek screw. Make sure side curtain sits flush with bottom of side frames. **Figure 9 and Figure 9-1.** Attach the top straps on the side curtain to the head frame as shown in **figure** .

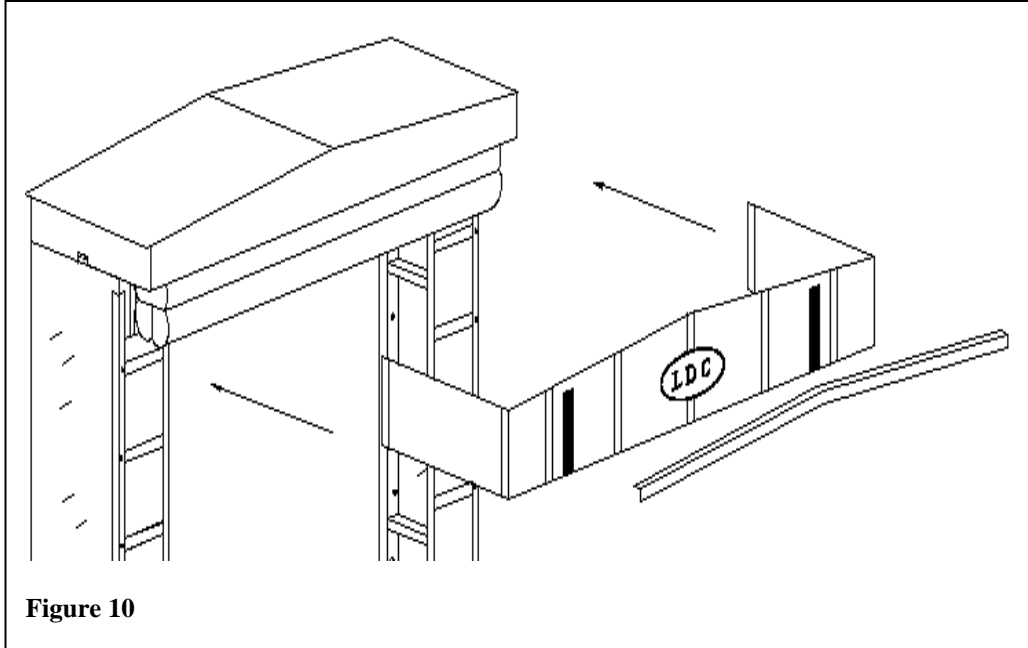


10B) Secure each side curtain to frame using one 1.5" x 2.5" trim angle supplied (figure 6-A Fasten using #14 x 1.5" wood screws for wood frames or #14 x 1" tek screws for galvanized frames. The trim angle has been pre-drilled to suit the curtains. Make sure that the holes in the trim angles line up with the stiffeners in the curtain. **Figure 9**



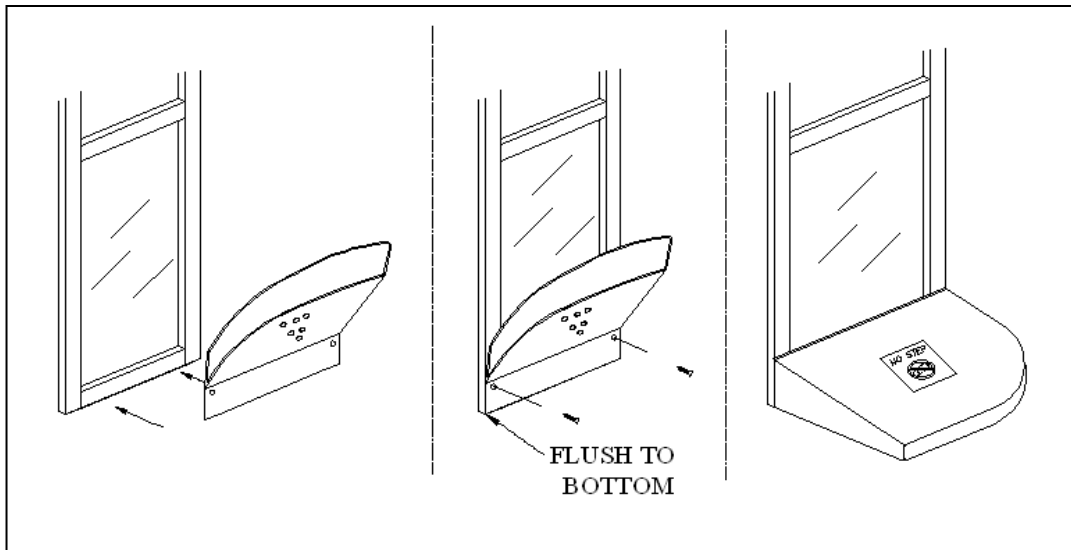
Important Note: You **MUST** ensure that the fasteners penetrate the stiffeners. It is necessary to pre-drill the stiffeners to prevent them from splitting.

Follow steps 10 for head curtain. **Figure 10.**



11. Bottom Pads.

Attach the bottom buns to the bottom of the side frames using two #14 x 1.5" wood screws supplied. (Air vents on bottom) For galvanized frame use #14 x 1" tek screws.



12. Caulking.

Caulk across the top of the head pad using a good quality caulking.

13. Clean up around dock area when complete.



LOADING DOCK COMPANY (LDC)

Visit us At: www.loadingdockcompany.com

NOTES: