

Installation Instructions

Model D-600



WARNING!!!

Post safety warning and barricade work area, at dock level and ground level to prevent unauthorized use of the dock position while service work is being performed.

Parts List

- | | |
|---|---|
| <input type="checkbox"/> 1 Head Frame | <input type="checkbox"/> 1 Trim Angle |
| <input type="checkbox"/> 2 Foam side Frames c/w Velcro | <input type="checkbox"/> 2 Foam Bottom Buns |
| <input type="checkbox"/> 1 Head Curtain c/w Holdback straps | <input type="checkbox"/> 2 Side Supports |
| <input type="checkbox"/> 2 Side Curtains c/w Velcro | |

Hardware List – Wood Frame

- 5 - 3/8" x 3" Sleeve anchors
- 20 3/8" x 1-7/8" sleeve anchors
- 6 angle brackets
- 6 flat brackets
- 50 #14 x 1 1/2" Wood Screws
- 1 Installation Instruction
- 15 Roofing nails

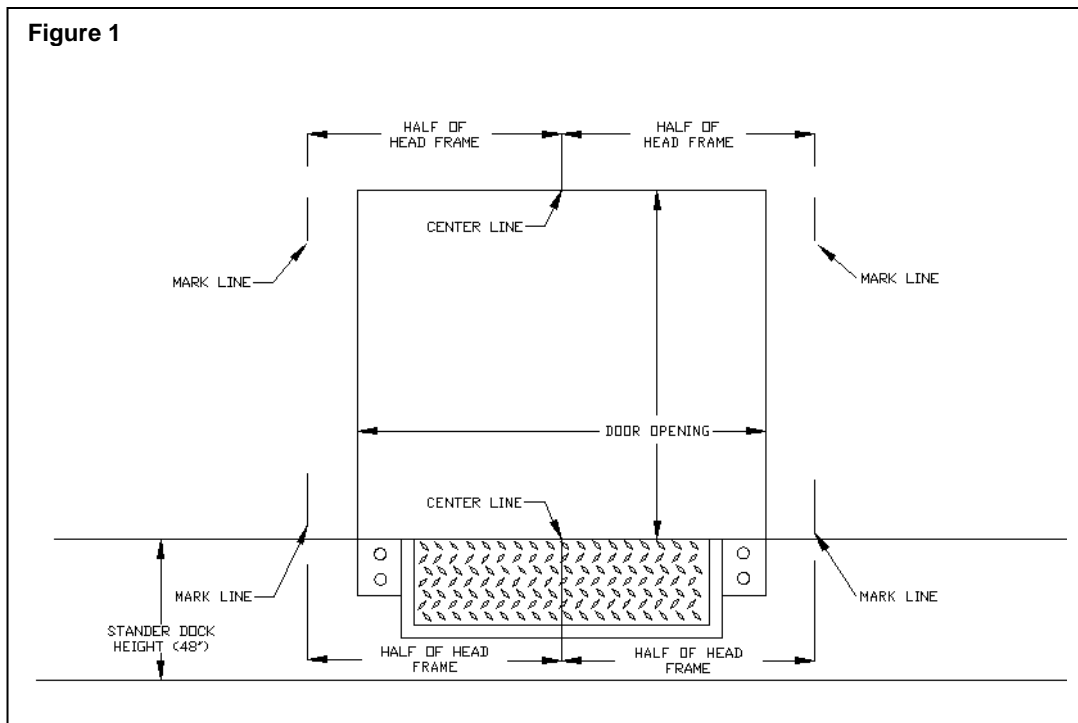
Hardware List – Galvanized Frame

- 5 - 3/8" x 4" Sleeve anchors
- 20 3/8" x 1-7/8" sleeve anchors
- 6 angle brackets
- 6 flat bracket
- 36 #14 x 1 1/2" Wood Screws
- 1 Installation Instruction
- 15 # 14 x 1" Tek screws

Instructions:

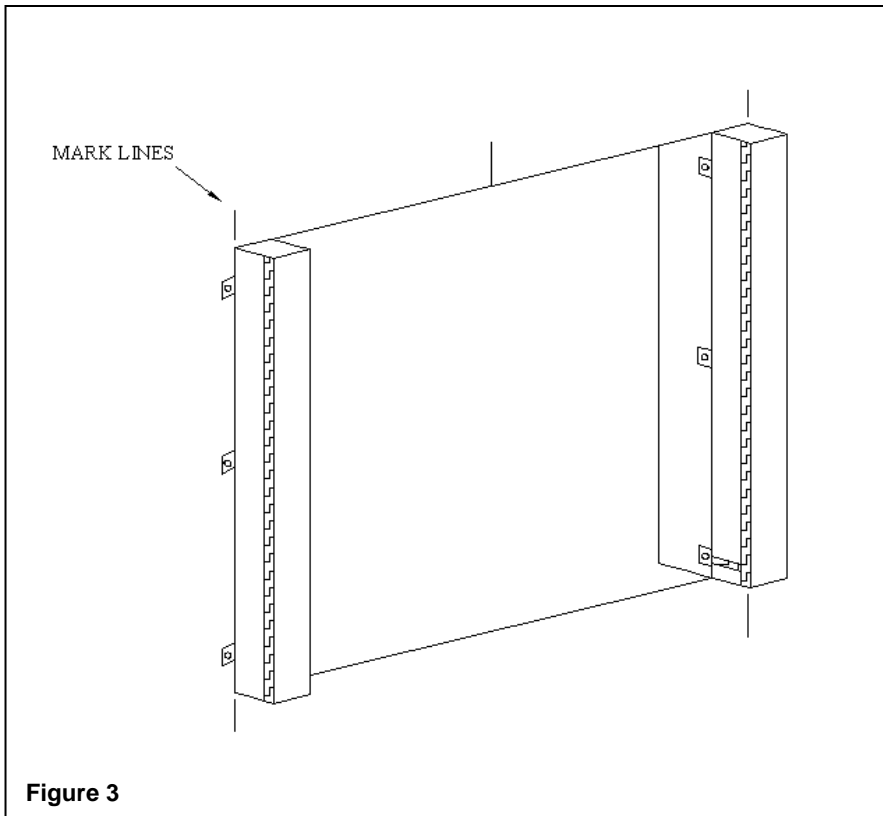
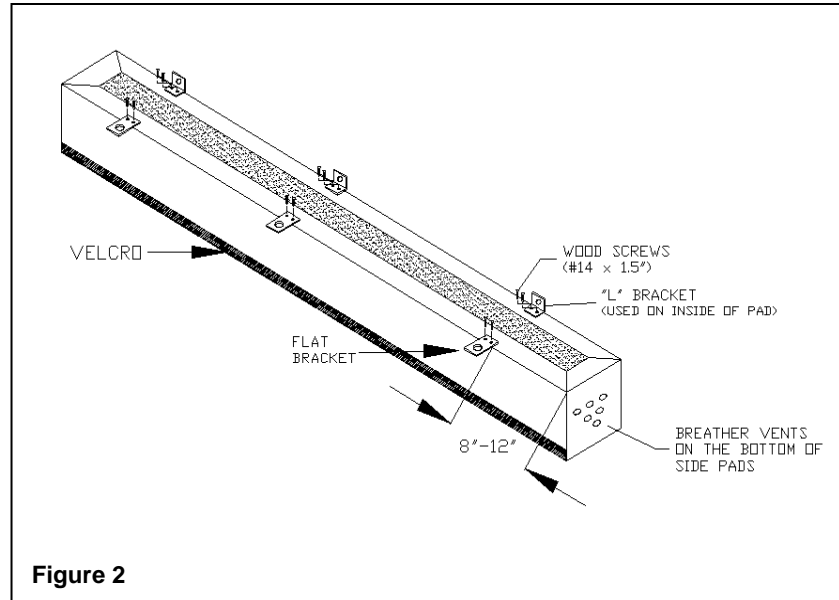
1. Marking and mounting locations for side pads and side supports.

Measure one half of the top frame length. From the center line of the door opening (top & bottom) mark out the location of the outside of the side pads and side supports as shown in **Figure 1**. Repeat for the other side pads and side supports.



2. Attaching the brackets to the side pads.

Fasten the angle brackets to the inside edge of the side pads as shown in **Figure 2** using two(2) #14 x 1.5" wood screws for each bracket. Repeat on outside edge of the side pads with flat brackets. Position the brackets so they line up with the mortar joints on block walls.

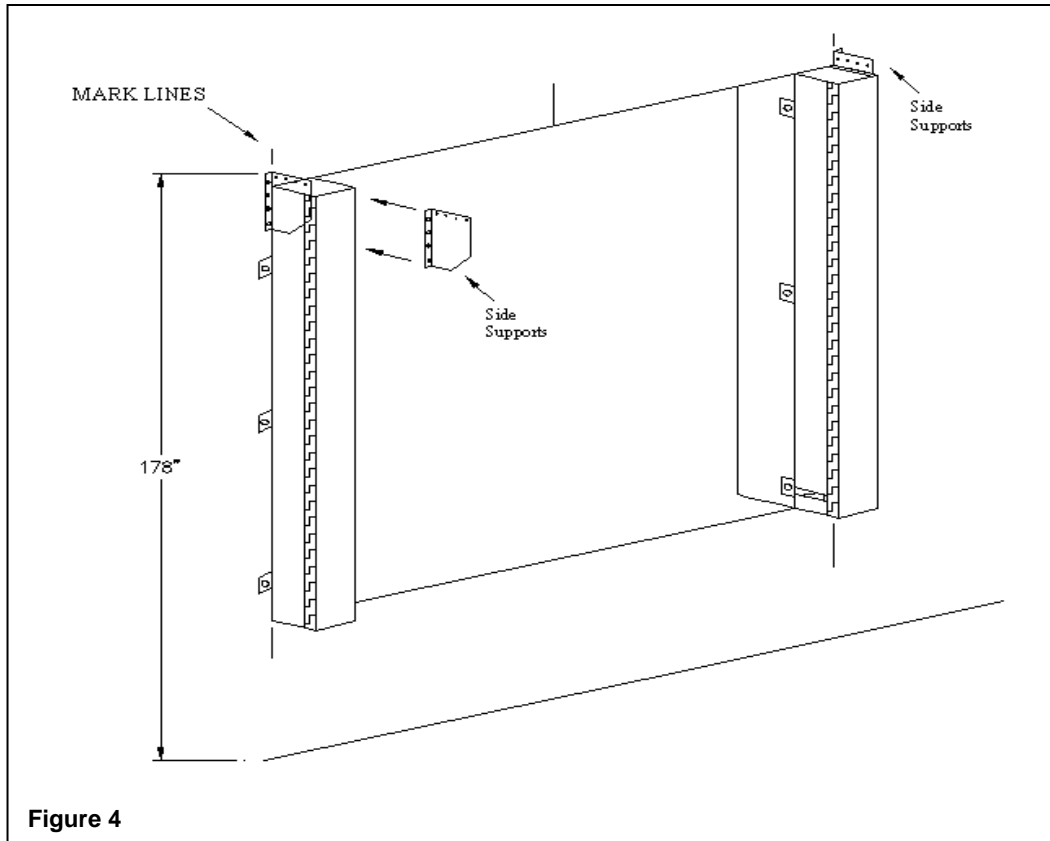


3. Mounting the side pads.

Place one vertical pad in place lining up the outside edge of the side pads with the marks as shown in **Figure 3**. Ensure that the side pads are plumb and sit flush with the building wall. Fasten to building wall using 3/8" x 1-7/8" sleeve anchors supplied. Repeat steps 2 & 3 for the other side pad.

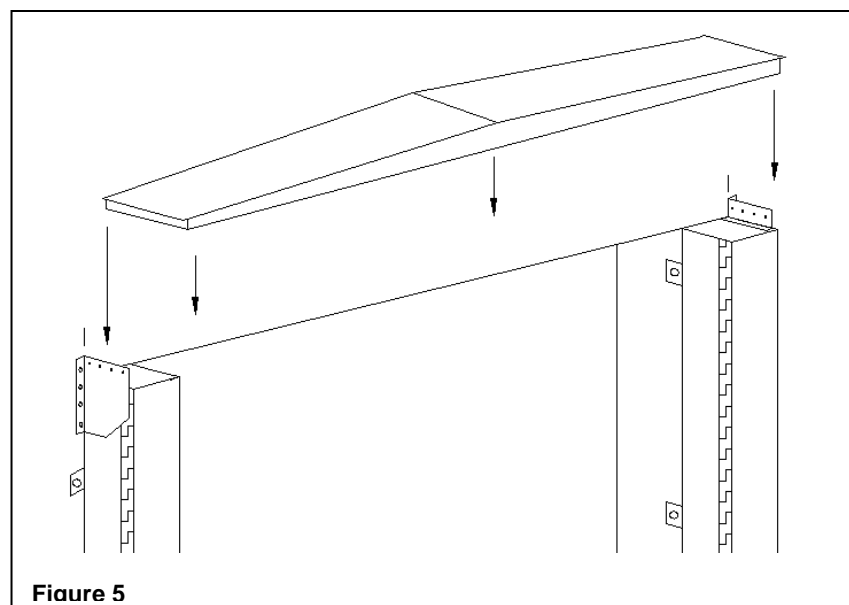
4. Attaching the side supports to the wall.

Place inside edge of side support on mark made in step 1. Mount galvanized side support at 178" from the grade to the top of the support. Fasten using four (4) 3/8" x 1-7/8" sleeve anchors. (Repeat for other side) **Figure 4**



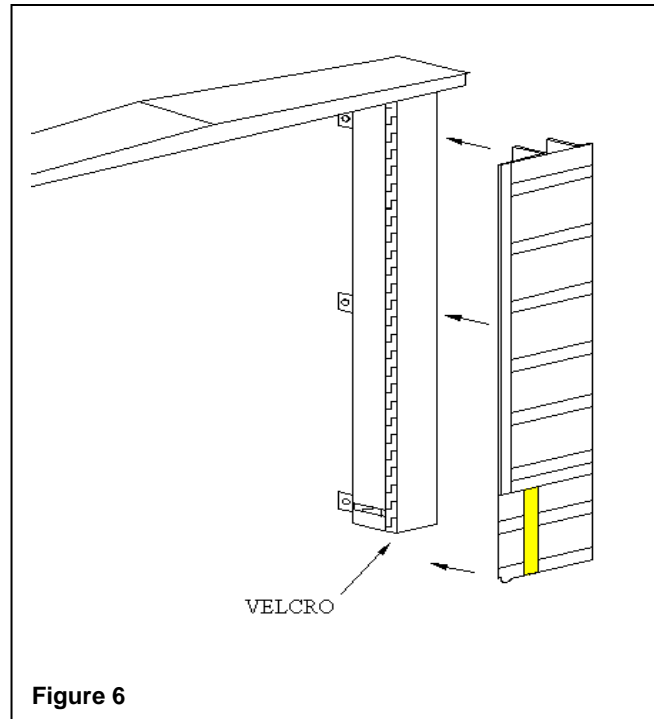
3. Attaching head frames to the wall and side support.

Mount the head frame on top of the two support angles on inside edge of side supports and fasten frame to the wall using 5 - 3/8" x 3" sleeve anchors supplied. Also attach head frame to galvanized side supports with #14 x 1.5" wood screws supplied. **Figure 5.**



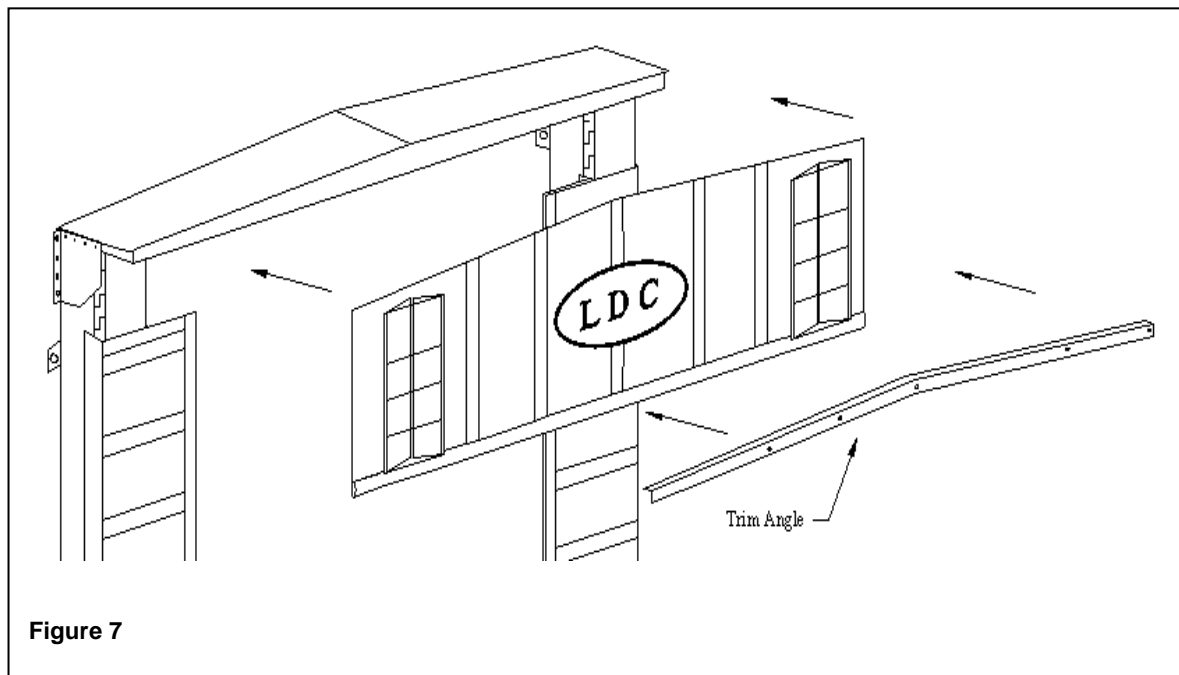
6. Attaching Side curtains.

Attach left and right side curtains to base pad with Velcro attachment.
(Note: yellow guide stripe on bottom)
As shown in **Figure 6**. Repeat for other side curtain.



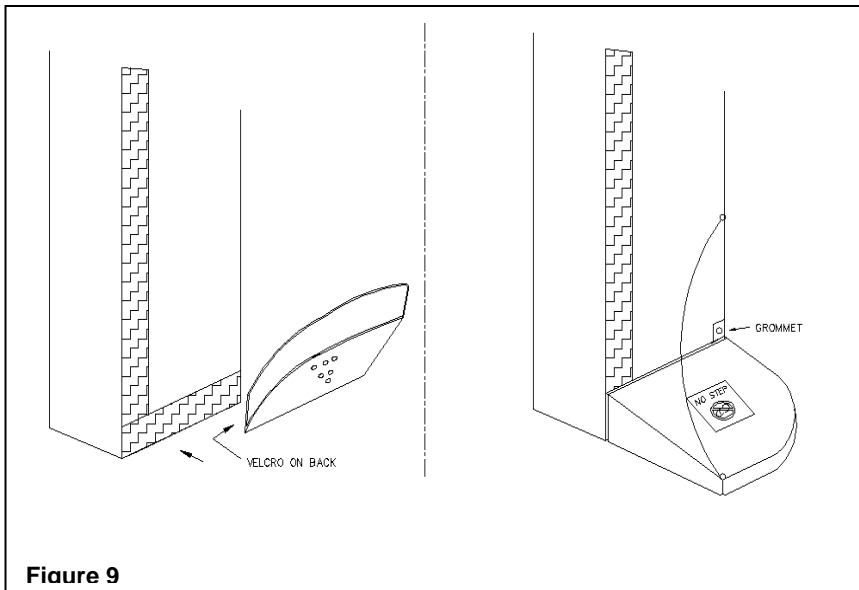
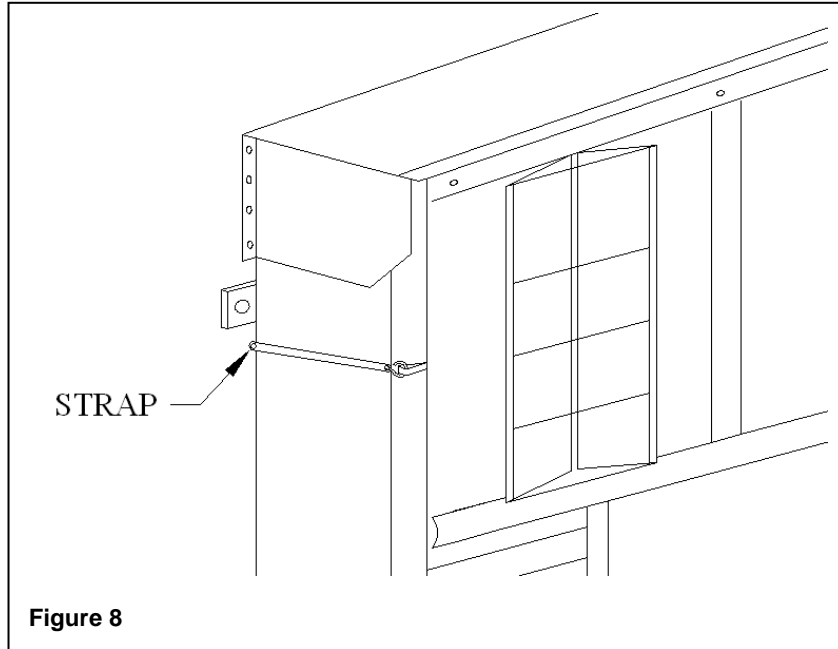
7. Attaching head curtain.

Attach head curtain to head frame using roofing nails supplied. For galvanized frame, fasten head curtain to velcro supplied. Fasten galvanized trim angle supplied using #14 x 1.5" wood screws. Use #14 x 1" tek screws for galvanized frame. (Note: ensure that wood screws fasten through stiffeners in head curtain). **Figure 7. Important Note:** You MUST ensure that the fasteners penetrate the stiffeners. It is necessary to pre-drill the stiffeners to prevent them from splitting.



8. Attaching wind straps.

Attach the side strap on the sides of the head curtain to base on side pads, using #14 x 1½" wood screw. Ensure strap is snug (DO NOT STRETCH) **Figure 8. Repeat for other strap.**



7. Bottom Pads.

Attach bottom draft pads to inside edge of verticals with Velcro attachment. **Figure 9**

Note: ensure that drainage holes are on bottom.

10. Caulking.

Caulk across the top of the head pad using a good quality caulking.

11. Clean up around dock area when complete.