

# Installation Instructions

Model D-650

Loading Dock Company (LDC) LTD  
1090 Aerowood Drive, Unit 2-4 Mississauga,  
Ontario L4W 1Y5  
[www.loadingdockcompany.com](http://www.loadingdockcompany.com)



# LOADING DOCK COMPANY (LDC)

## **Limited Warranty for all Seals, Shelters, & Inflatables**

LDC warrants to the purchaser that, for a period of three hundred and sixty-five (365) days from date of shipment, all seals, shelters and inflatables shall be free from defects in the workmanship and materials. As a condition to making a warranty claim, LDC must be notified in writing of any warranty claim within **ten (10) working days** of the Purchaser identifying the defect and LDC shall be entitled to inspect the defect prior to removal or alteration. If the warranty claim is approved by LDC the defective part shall be returned by the purchaser - **transportation charges pre-paid** – within fifteen (15) days of the approval and if, upon further examination by LDC it is ascertained that said equipment or part thereof is defective in workmanship or material, LDC will deliver to the purchaser – without charge - F.O.B Mississauga, Ontario, parts of proper workmanship and material in exchange for any parts so found to be defective, and the total liability of LDC is limited to said exchange. LDC will undertake to pay the labour costs to uninstall the item of an **approved** warranty claim at labour rates and hours predetermined by LDC. No other costs or damages of any kind will be covered by LDC. This warranty shall **not** apply if in the discretion of LDC there was improper or inadequate installation, improper or inadequate maintenance, any service or adjustment by the customer, or any equipment was repaired or altered by other than LDC or its authorized service representatives. This limited Warranty will **not** apply where the purchaser has not signed off on an **approved LDC Specification Sheet and Survey Sheet.**

Under no circumstances is the purchaser entitled to set-off a warranty deduction against a payment otherwise owed to LDC until such warranty claim has been approved and credit has been issued by LDC. The warranty is invalidated if a set-off is claimed prior to approval of the warranty claim.

These warranties are the only warranties given by LDC and there are no other warranties, expressed or implied, at law or in equity whatsoever, including without limitation: warranties of merchantability and fitness for particular purpose, any other representations to the purchaser, verbal or otherwise. LDC shall not be responsible for any obligations or liabilities other than workmanship and materials, including liability for incidental and consequential damages. No person, whether employed or an agent of LDC or not, is authorized to give any other warranties or assume any liability on behalf of LDC unless made or assumed in writing by LDC.



## WARNING!!!

Post safety warning and barricade work area, at dock level and ground level to prevent unauthorized use of the dock position while service work is being performed.

### Parts List

1 Air bag

#### Hardware (D650)

1 - 2" x 8" x \_\_\_\_\_

2 - 2" x 8" x \_\_\_\_\_

26 3/8" x 1 7/8" sleeve anchors

350 Roofing nails

4 Retraction Tracks

12 Nylon Rollers

2 Screw Hooks

12 3/8" x 3" sleeve anchors

1/2 HP. Motor c/w Plywood

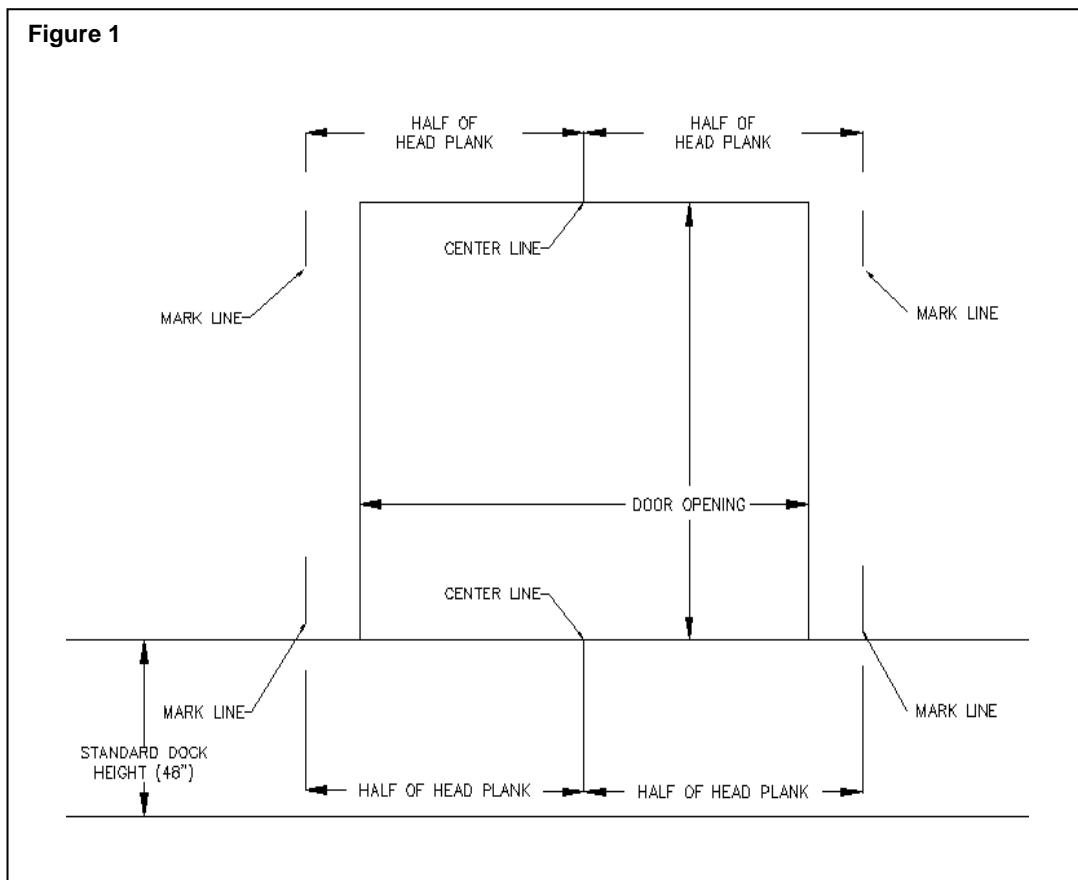
Galvanized Motor Hood

9" Tarp straps c/w Chain

2 30" hold back straps

## 1. Marking and mounting locations for side plank.

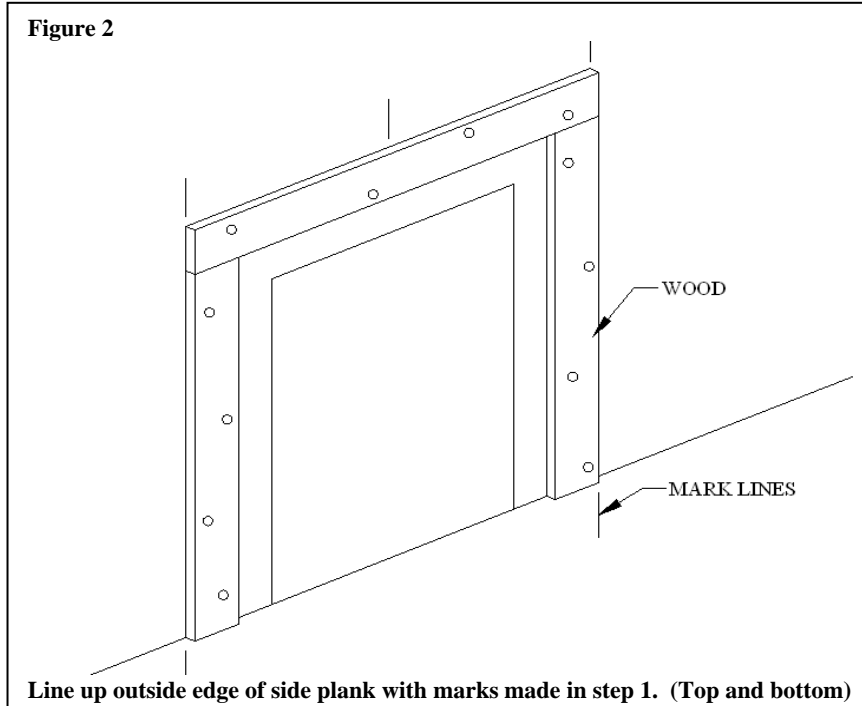
Measure one half of the head plank length. From the center line of the door opening (top & bottom) mark out the location of the outside of the side planks as shown in **Figure 1**. Repeat for the other side plank location.



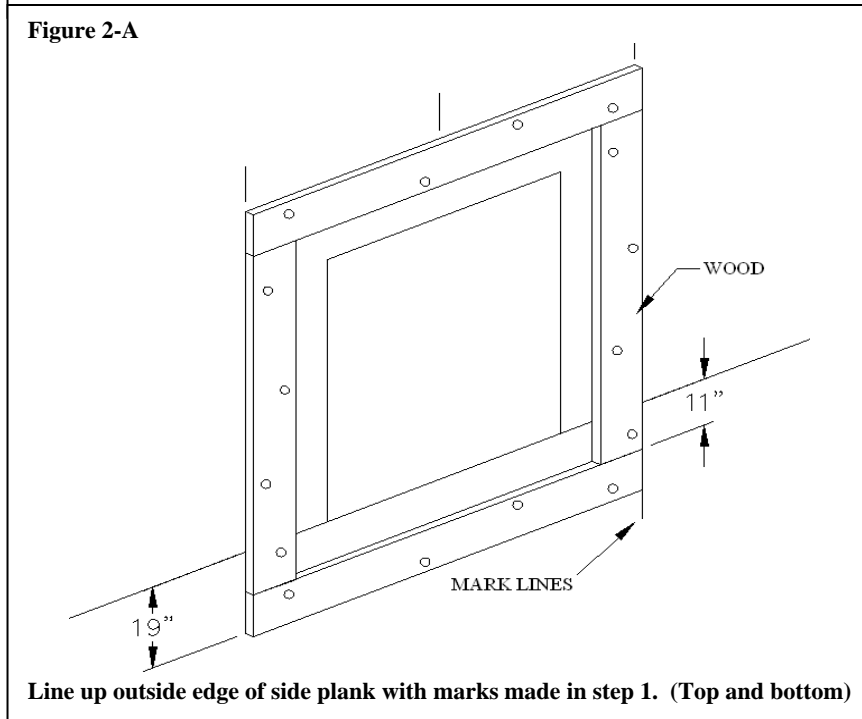
## 2. Attaching the planks to the wall.

Line each vertical side plank with mark lines made in step 1. Secure each plank to wall using a minimum of four (4) anchors size 3/8" x 3". Stagger each anchor and position 3" from the bottom of the plank, working your way towards the top. Vertical planks should sit square and flush with bottom of 2" x 8" header plank shown in Figure 2 (For a 4-Sided Model) see Figure 2-A

### 3 Sided Unit

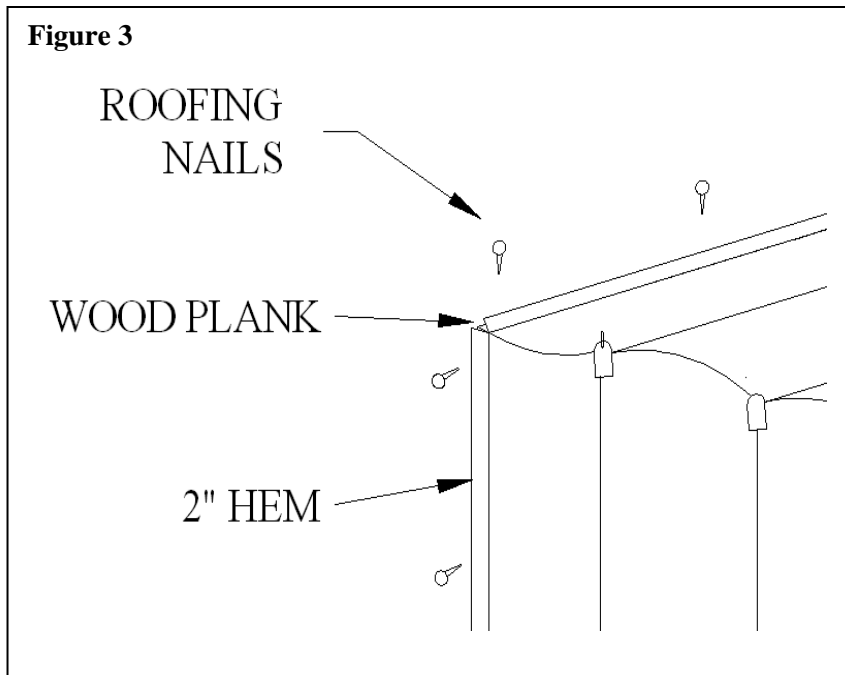


### 4 Sided Unit



### 3. Installing Air Bag.

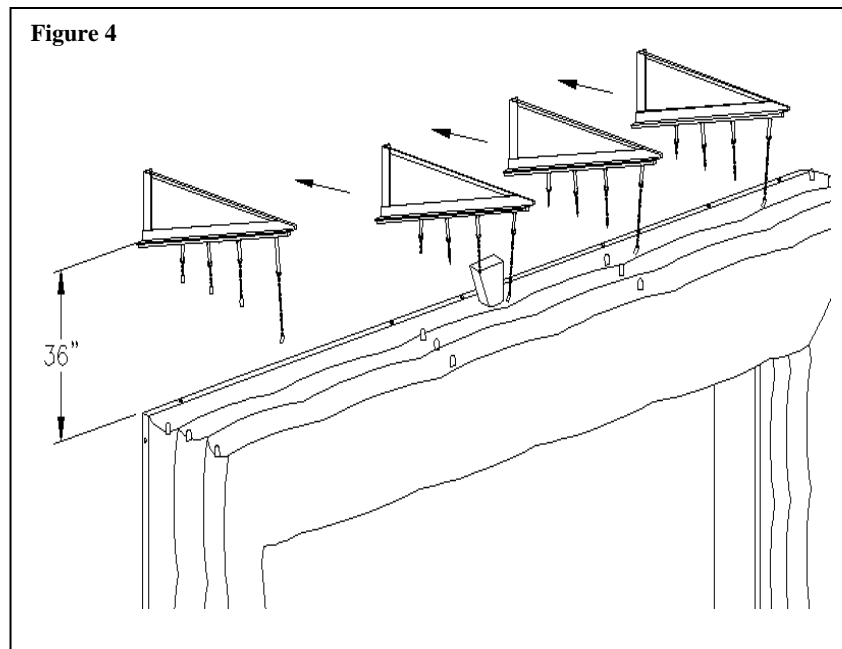
Unfold airbag assembly and position rear hems over wood frame. Nail center of top hem to the top head plank, use center line made in step 1 as a reference. Secure hems to inside and outside of frame perimeters with roofing nails. Place nails approximately 4" apart starting from each corner. Refer to Figure 3.



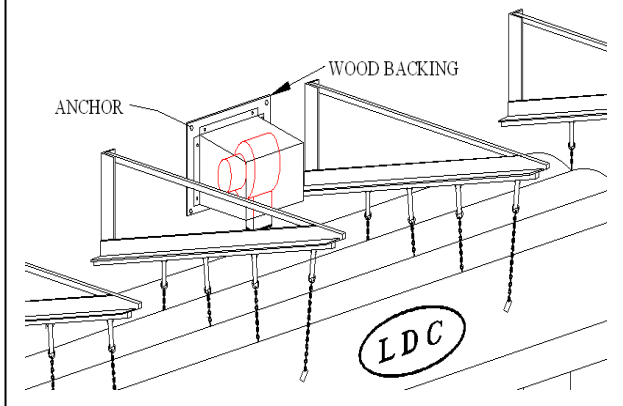
**NOTE:** Use only a few nails until airbag has been inflated, then if all dimensions are correct, proceed to fully nail entire unit.

### 4. Installing Retraction Tracks (Qty 4)

The mounting locations of brackets should be 36" from the top of the wood backing. (Figure 4) These brackets are in place to ensure support when the bag is in deflated position. Mount brackets directly above rings on top of air bag. Use four 3/8" x 1 7/8" sleeve anchors for each bracket.



**Figure 5**

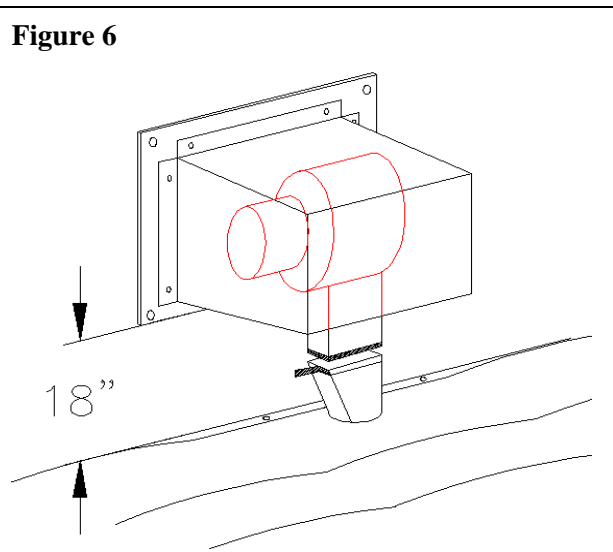


#### **4. Mounting motor.**

At an appropriate height secure blower/motor and bracket assembly to outside of wall with four 3/8" x 1 7/8" sleeve anchor (within reach of air feed tube). It is very important to ensure that all components are at least 16 feet above top of rail. Figure 5

#### **5. Attaching air feed.**

Connect the air feed tube from the air bag to motor using the pre-stitched velcro strap. Secure air connection. Shown in Figure 6

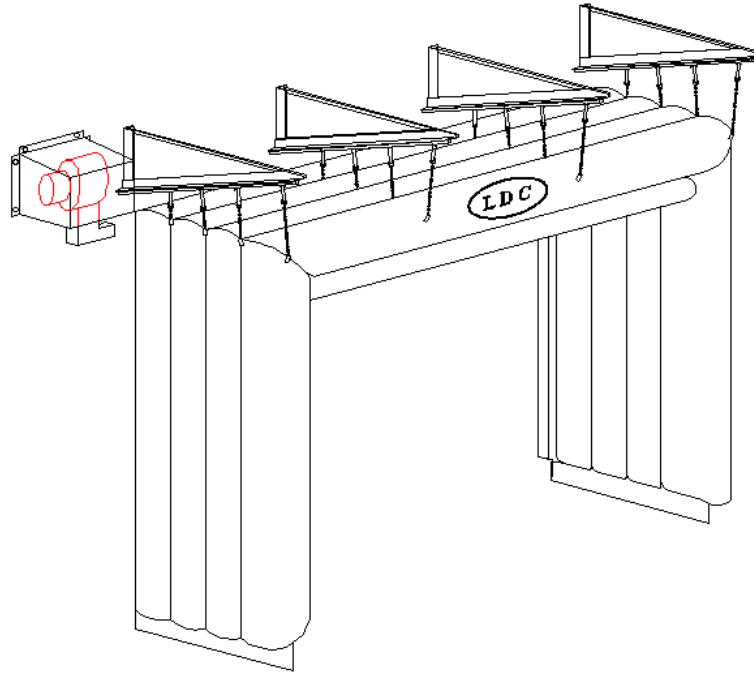


**Figure 6**

#### **6. Testing Unit.**

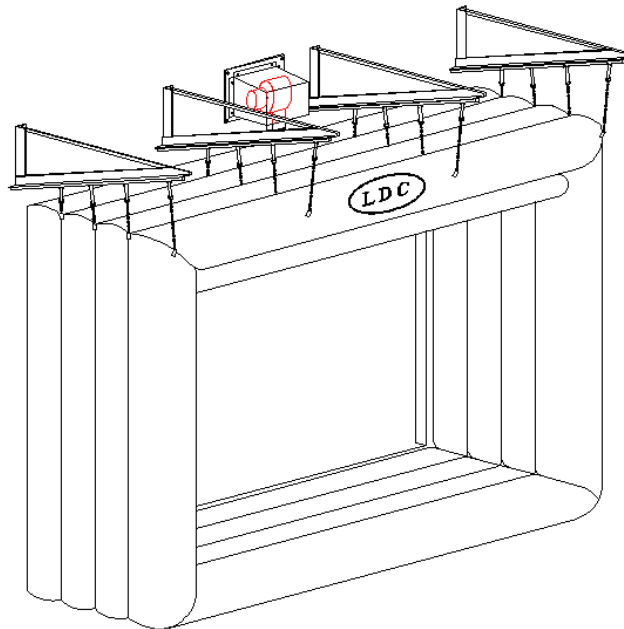
Test unit after electric hook up is complete. Make sure there is an available on-off control to the blower/motor. **Figure 7 and 7-A**

**Figure 7**



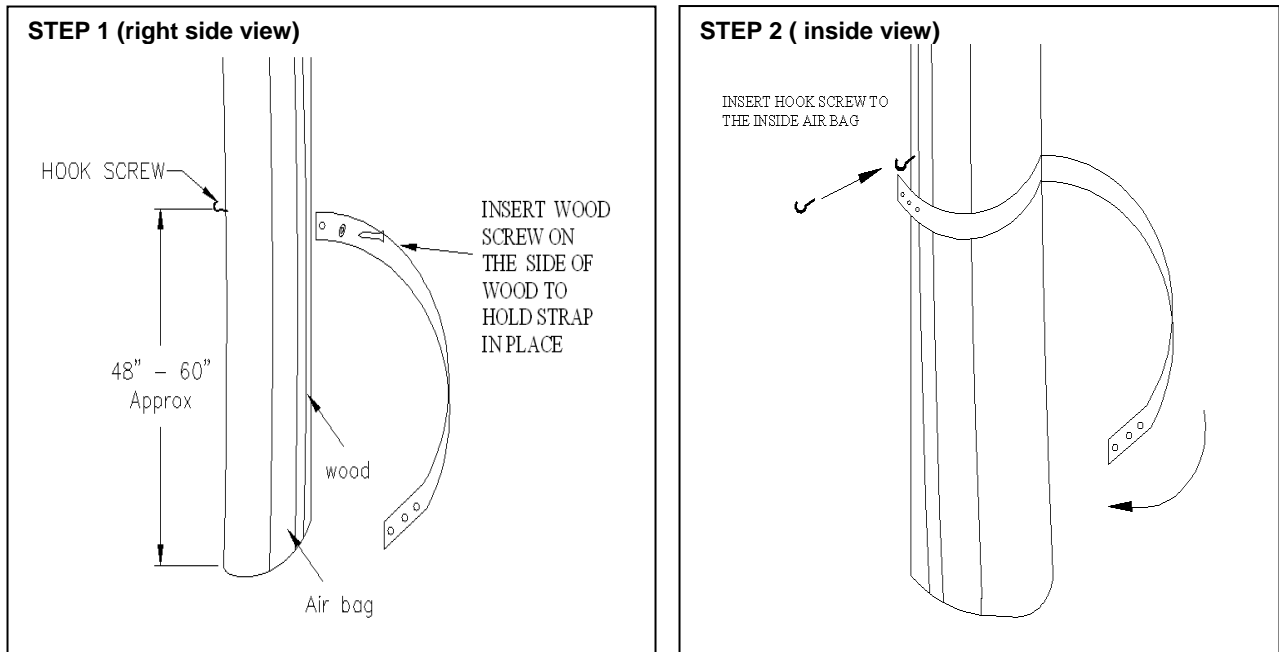
**3 Sided Model.**

**Figure 7-A**



**4 Sided Model.**

## **Instructions:** Attaching hold back strap.



### **7. Caulking**

Caulk across top of entire unit using a good quality caulking.

### **8. Clean up around dock area when complete.**

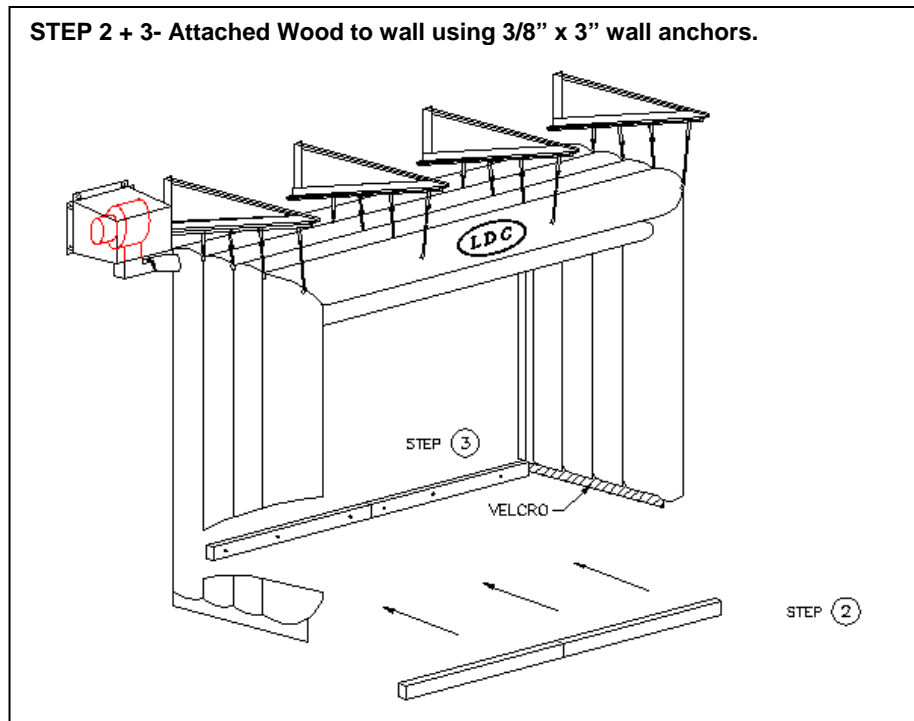
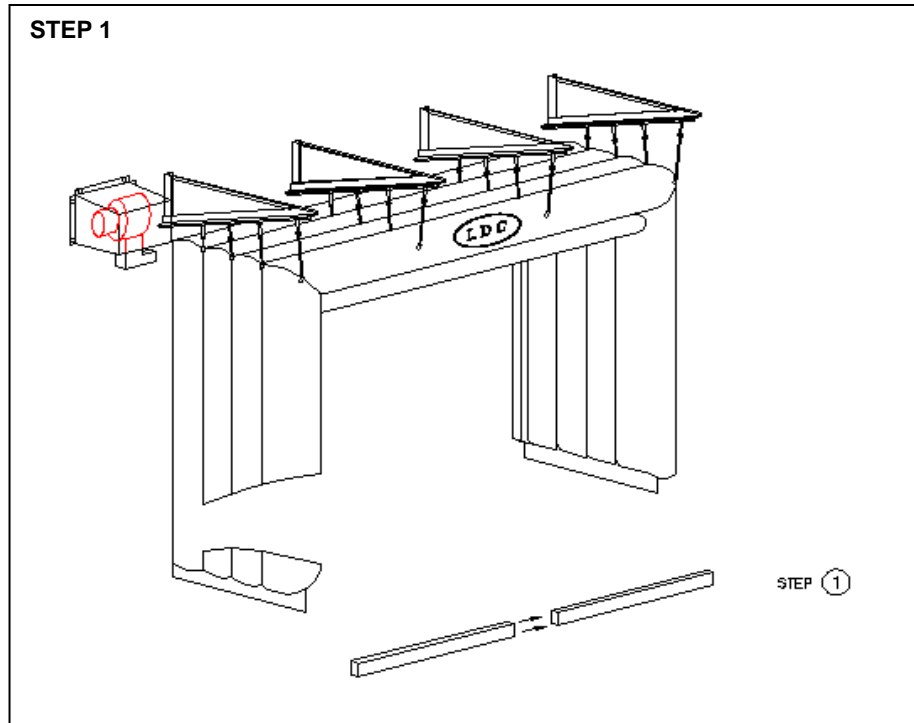
### **IMPORTANT NOTE ABOUT AIRBAG OPERATION AND CARE:**

It is very important to show the customer the correct method to use this product. Ensure that the airbag is always in the deflated position and only inflated after the railcar has docked. Ensure air bag is deflated before the railcar departs.

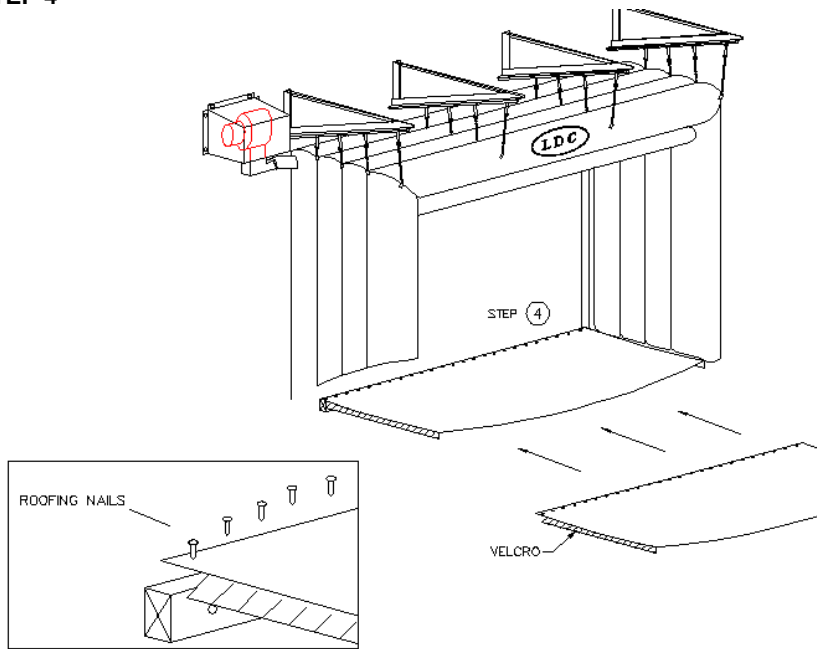


## Optional Bottom Curtain

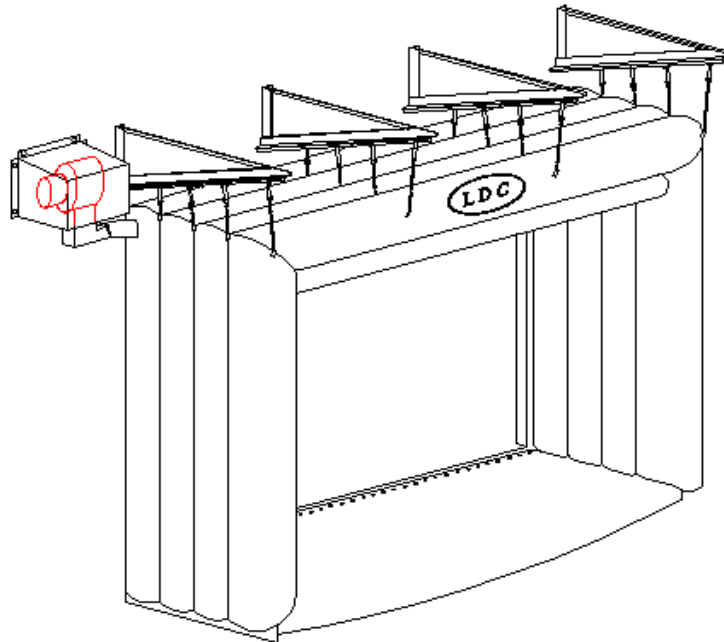
### Instructions: Attaching Bottom Curtain



**STEP 4**



**Complete**



# NOTES



# LOADING DOCK COMPANY (LDC)

Visit us At: [www.loadingdockcompany.com](http://www.loadingdockcompany.com)



Loading Dock Company (LDC) LTD  
1090 Aerowood Drive, Unit 2-4 Mississauga,  
Ontario L4W 1Y5  
[www.loadingdockcompany.com](http://www.loadingdockcompany.com)