

Installation Instructions

Model D-700
E-700



LOADING DOCK COMPANY (LDC)

Limited Warranty for all Seals, Shelters, & Inflatables

LDC warrants to the purchaser that, for a period of three hundred and sixty-five (365) days from date of shipment, all seals, shelters and inflatables shall be free from defects in the workmanship and materials. As a condition to making a warranty claim, LDC must be notified in writing of any warranty claim within **ten (10) working days** of the Purchaser identifying the defect and LDC shall be entitled to inspect the defect prior to removal or alteration. If the warranty claim is approved by LDC the defective part shall be returned by the purchaser - **transportation charges pre-paid** – within fifteen (15) days of the approval and if, upon further examination by LDC it is ascertained that said equipment or part thereof is defective in workmanship or material, LDC will deliver to the purchaser – without charge - F.O.B Mississauga, Ontario, parts of proper workmanship and material in exchange for any parts so found to be defective, and the total liability of LDC is limited to said exchange. LDC will undertake to pay the labour costs to uninstall the item of an **approved** warranty claim at labour rates and hours predetermined by LDC. No other costs or damages of any kind will be covered by LDC. This warranty shall **not** apply if in the discretion of LDC there was improper or inadequate installation, improper or inadequate maintenance, any service or adjustment by the customer, or any equipment was repaired or altered by other than LDC or its authorized service representatives. This limited Warranty will **not** apply where the purchaser has not signed off on an **approved LDC Specification Sheet and Survey Sheet.**

Under no circumstances is the purchaser entitled to set-off a warranty deduction against a payment otherwise owed to LDC until such warranty claim has been approved and credit has been issued by LDC. The warranty is invalidated if a set-off is claimed prior to approval of the warranty claim.

These warranties are the only warranties given by LDC and there are no other warranties, expressed or implied, at law or in equity whatsoever, including without limitation: warranties of merchantability and fitness for particular purpose, any other representations to the purchaser, verbal or otherwise. LDC shall not be responsible for any obligations or liabilities other than workmanship and materials, including liability for incidental and consequential damages. No person, whether employed or an agent of LDC or not, is authorized to give any other warranties or assume any liability on behalf of LDC unless made or assumed in writing by LDC.



WARNING!!!

Post safety warning and barricade work area, at dock level and ground level to prevent unauthorized use of the dock position while service work is being performed.

Parts List

- 1 Head Curtain
- 2 Side pads

Hardware (D700)

- 8 Angle Bracket
- 8 Flat bracket
- 16-3/8" x 1 7/8" sleeve anchors
- 26 - #14 x 1 1/2" wood screws
- 1 Set of ropes (13', 15', 17')
- 1 Rope cleat
- 12 Roofing nails
- 5 3/8" x 3" sleeve anchors

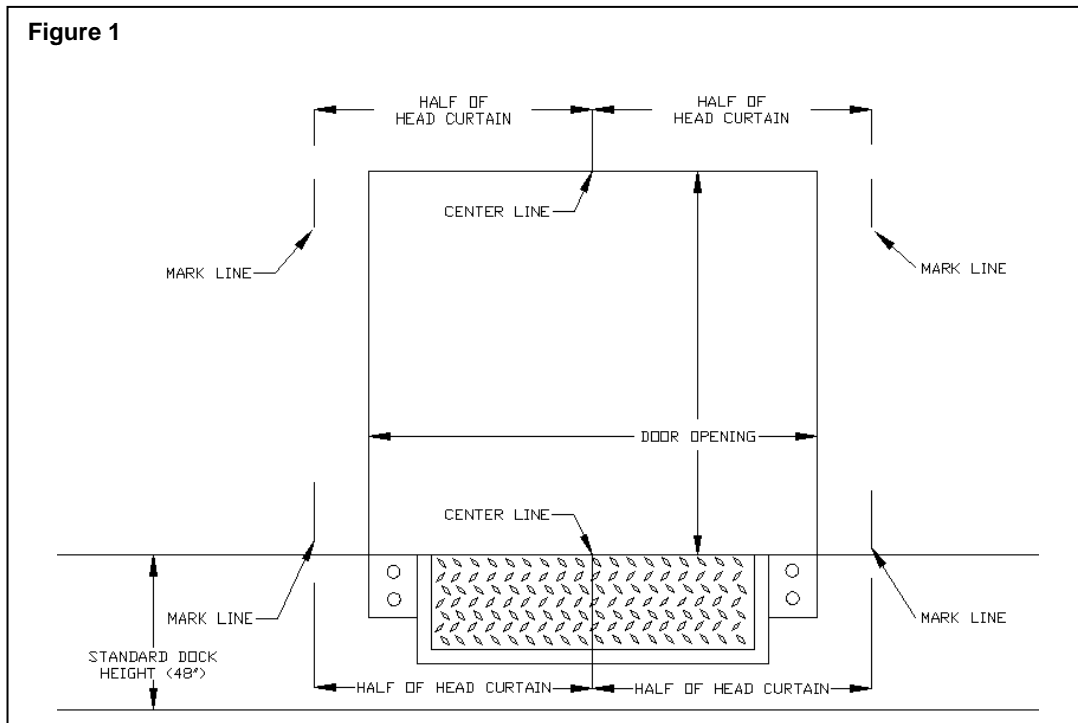
Hardware (E700)

- 8 Angle bracket
- 8 Flat bracket
- 16- 3/8" x 1 7/8" sleeve anchors
- 26 - #14 x 1 1/2" wood screws
- 1 Set of ropes (13', 15', 17')
- 1 Rope cleat
- 12 Roofing nails
- 5 3/8" x 3" sleeve anchors

Instructions:

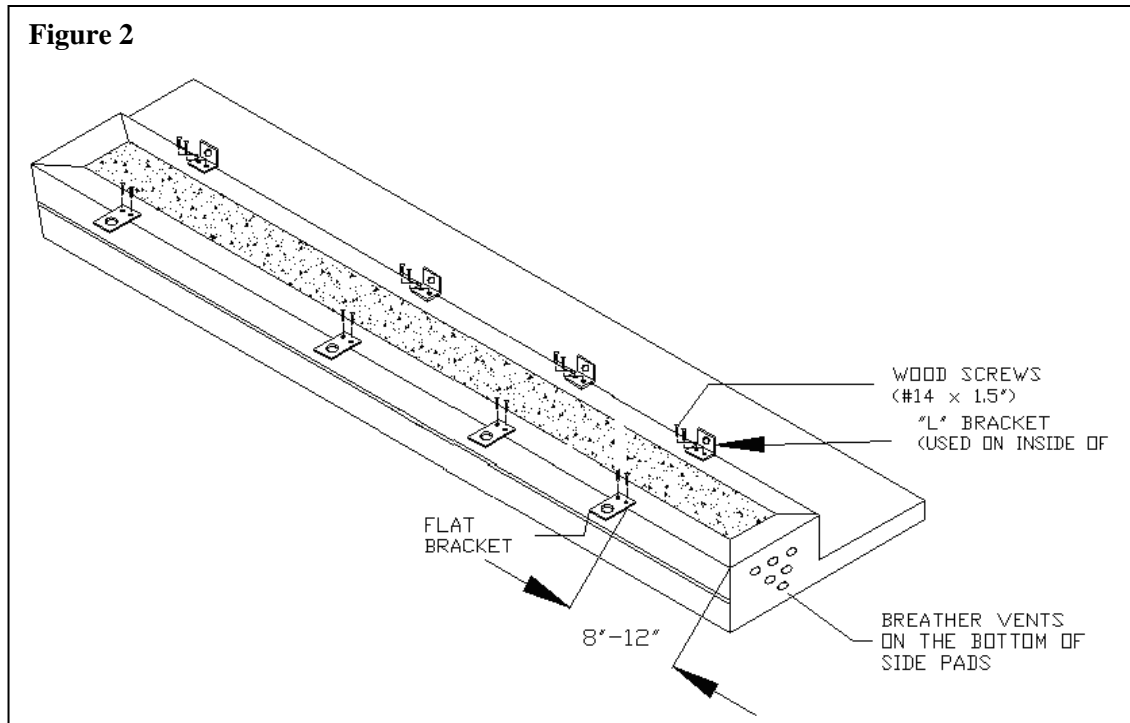
1. Marking and mounting locations for side pads.

Measure one half of the head curtain length. From the center line of the door opening (top & bottom) mark out the location of the outside of the side pads as shown in **Figure 1**. Repeat for the other side pad location.



2. Attaching the brackets to the side pads.

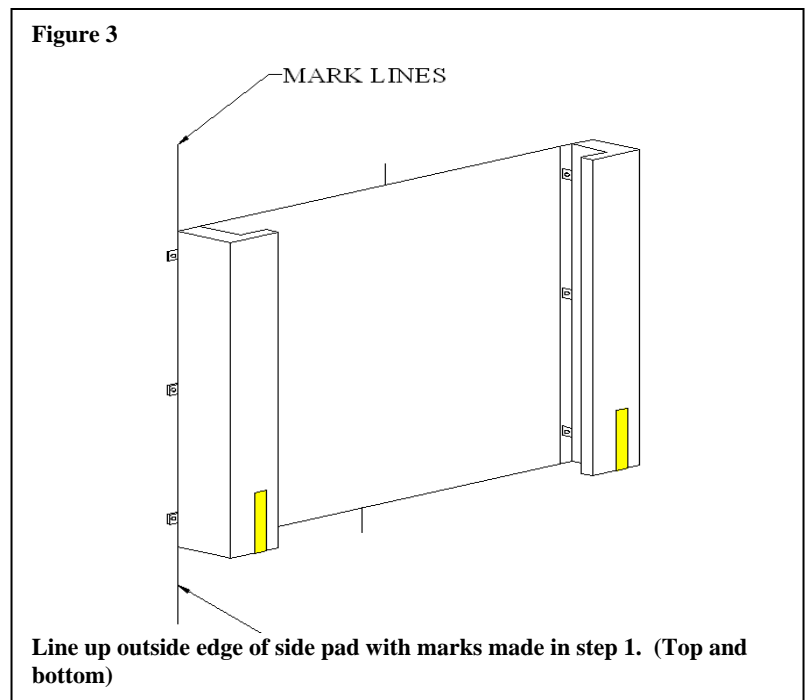
Fasten the angle brackets to the inside edge of the side pads as shown in **Figure 2** using two(2) #14 x 1.5" wood screws for each bracket. Repeat on outside edge of the side pads with flat brackets. Position the brackets so they line up with the mortar joints on block walls.



3. Mounting the side pads.

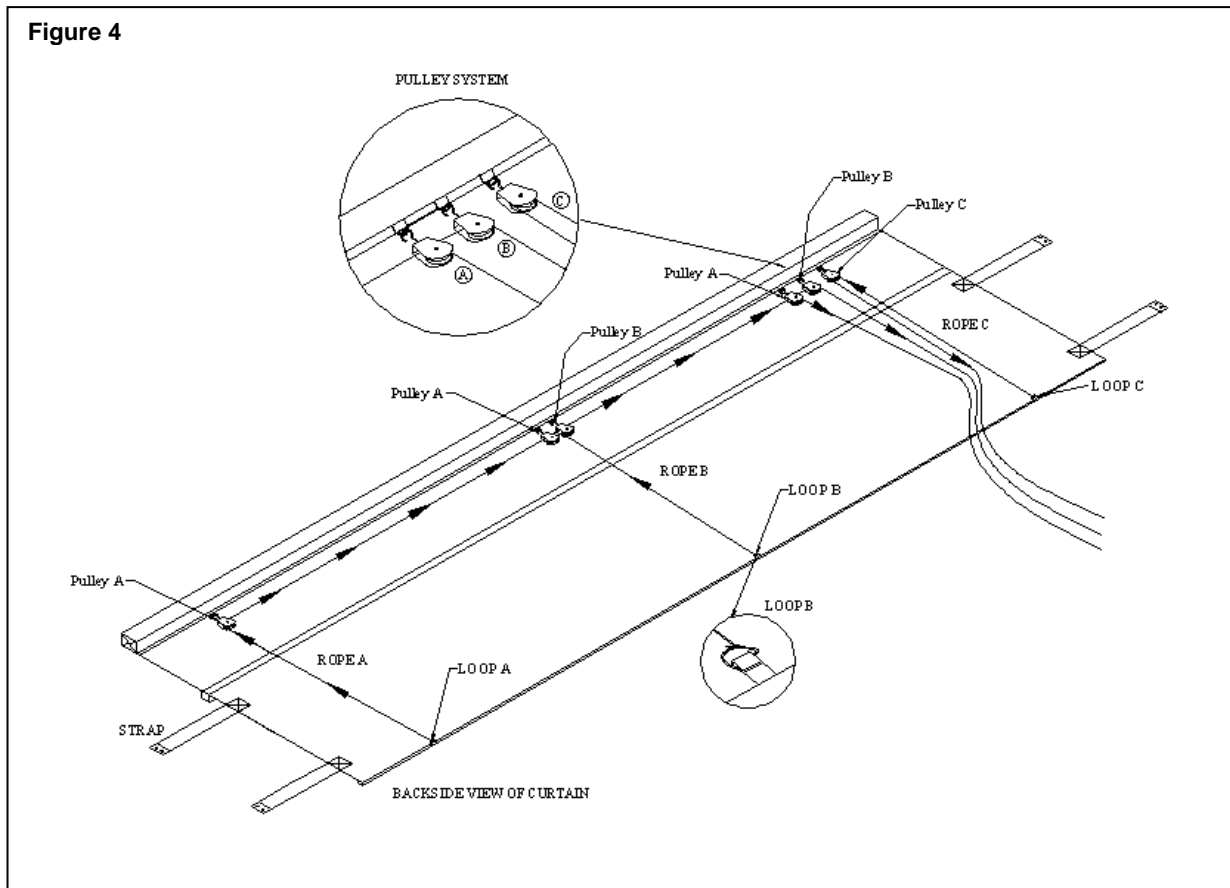
Place one vertical pad in place lining up the outside edge of the side pads with the marks as shown in **Figure 3**. Ensure that the side pads are plumb and sit flush with the building wall. Fasten to building wall using 3/8" x 1-7/8" sleeve anchors supplied. Repeat steps 2 & 3 for the other side pad.

NOTE: If side pads do not sit flush with door opening, it may be necessary to use all flat brackets.



4. Prepare Head Curtain (Adjustable)

Place head curtains pull ropes through the loops that have been already attached on the backside of the curtain. Rope A (17ft) Rope B (15ft) Rope C (13ft).



Note: Pulleys and loops are pre-sewn to the backside of head curtain. Lay the head curtain **FACE DOWN** on a clean surface before proceeding.

Step 1: Attach **ROPE "C"** (shortest rope) to loop "C" as showed in Figure 4. Feed the rope through "C" pulley in the direction of the arrow.

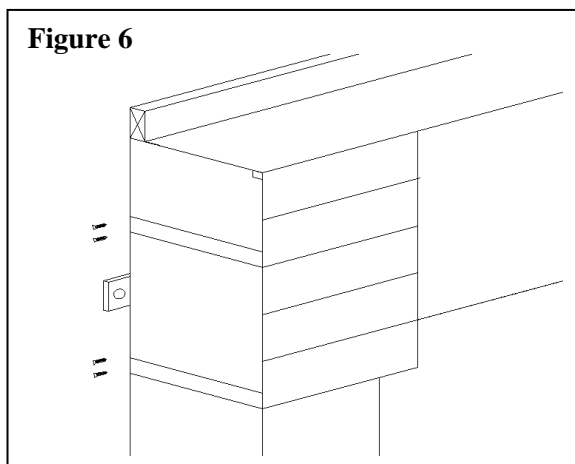
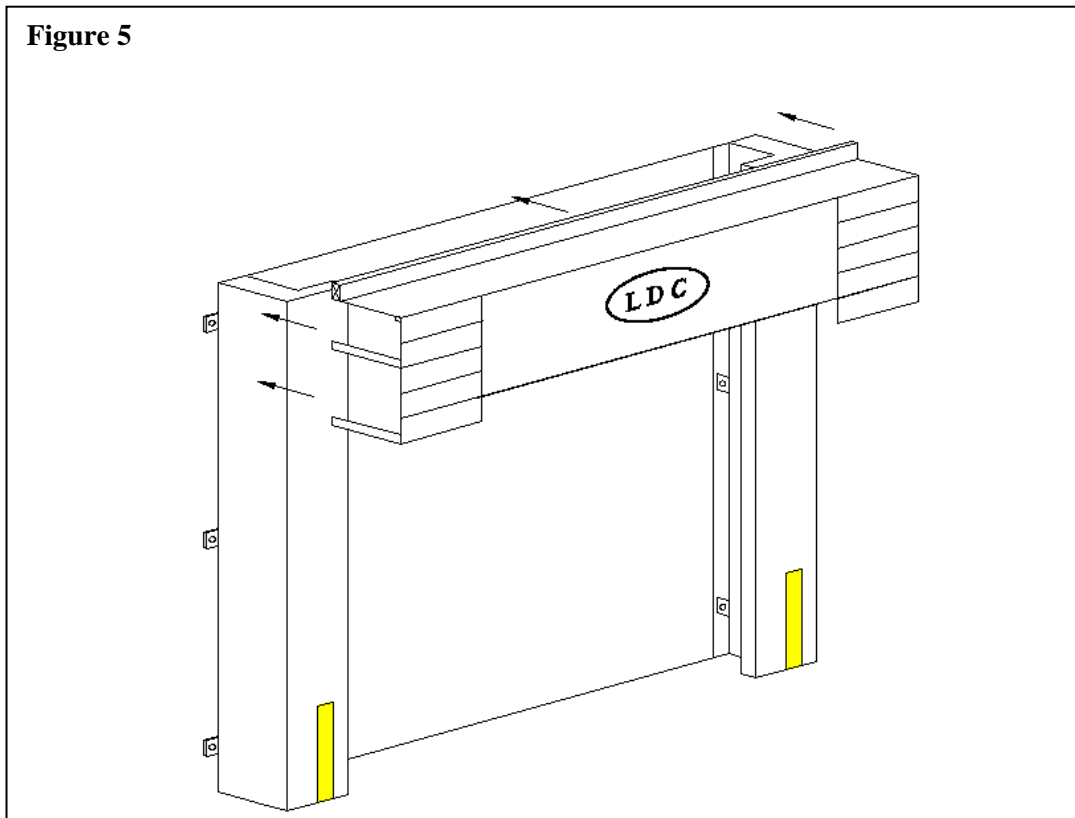
Step 2: Attach **ROPE "B"** to loop "B". Feed through pulley "B" in center of curtain and pulley "B" on right side of curtain.

Step 3: Attach **ROPE "A"** (longest rope) to loop "A". Feed through the three "A" pulleys in the direction of the arrow.

5. Place head curtain in position on top of side pads and fasten onto the wall.

Begin at center and work outwards to the end of head unit. Shown in Figure 5

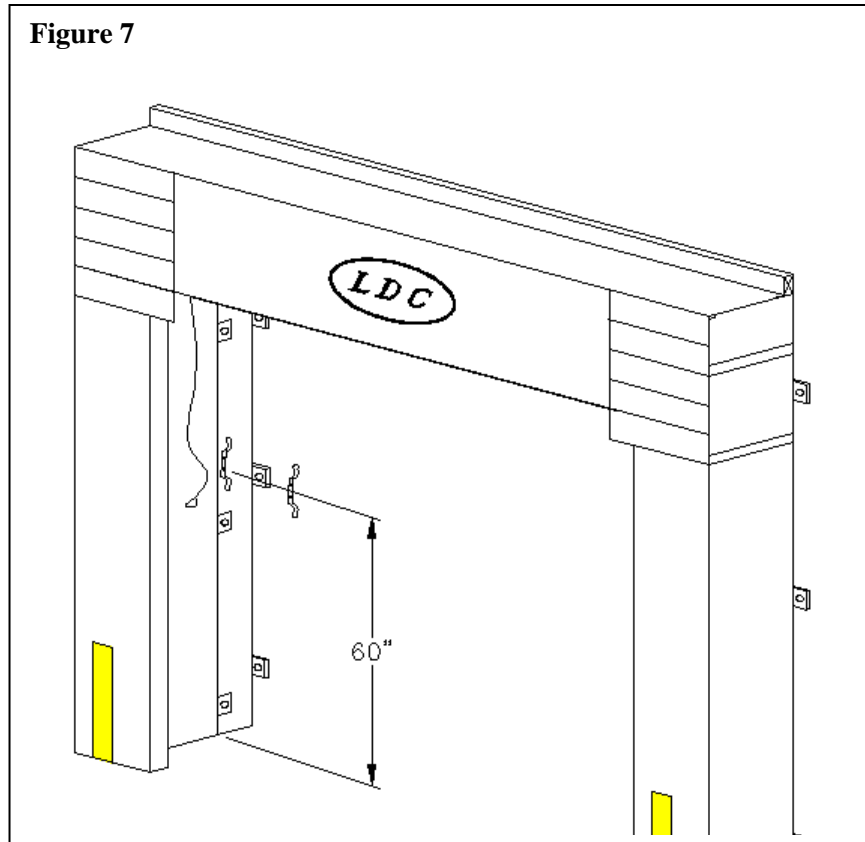
Note: -Use five (5) 3/8" x 3 sleeve anchors for 2" x 4"



6. Attaching restraining straps.

Each head curtain comes with restraining straps. These straps should be pulled snug and folded if necessary, and mounted to the wood backing on the vertical seals. Use roofing nails supplied to attach straps.

Figure 7



7. Fastening the rope cleat.

Fasten the cleat to the side of the vertical pad and tie pull rope. The cleat should be no more than 60 inches (5 feet) from the bottom pad. Shown in Figure 7

8. Caulking

Caulk across top of entire unit using a good quality caulking.

9. Clean up around dock area when complete.

IMPORTANT NOTE ABOUT CURTAIN OPERATION:

It is very important to show the customer the correct method to use this product. Ensure that the head curtain is always in the raised position and only lowered after a trailer has docked. The head curtain must then be raised again before the trailer leaves. Failure to follow these procedures will void warranty and result in damage to head curtain.