

SAVE-T®

ACCORDION STRIP DOORS



EXCELLENCE IN DESIGN





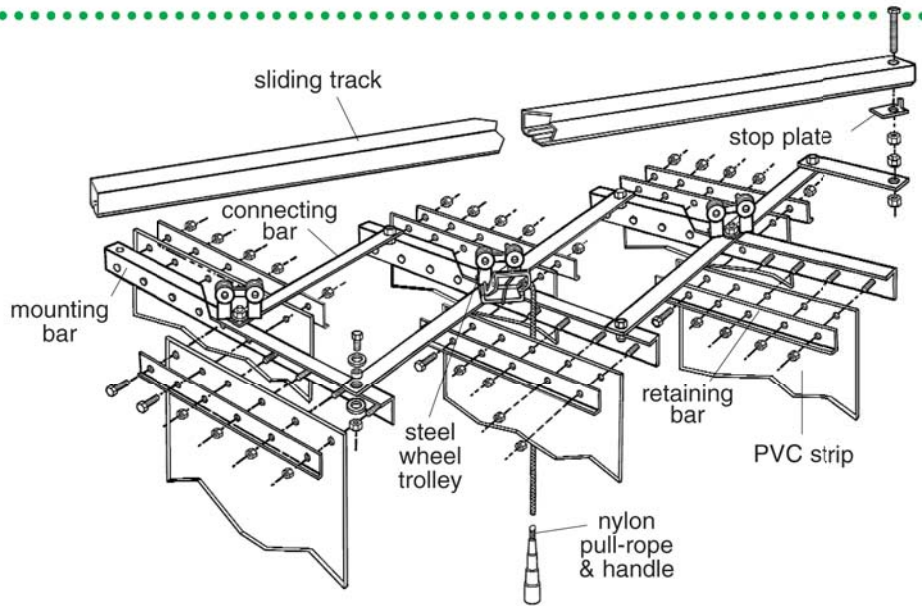
ACCORDION STRIP DOORS

FEATURES

- Steel Wheel Trolleys
- Galvanized Steel Hardware
- Wall, Header or Bracket Mounted
- Easy to Install
- Easy to Maintain

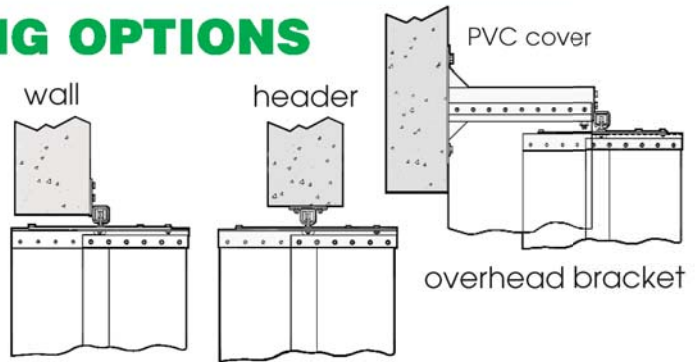
This new revolutionary Save-T ACCORDION STRIP DOOR can be used when a sliding strip door suits your application, but there are obstructions on both sides of the doorway opening, such as shelving or a wall. This uniquely constructed sliding strip door is your most economical solution. It is also the most cost effective way to cut your heating or cooling costs.

Just a light tug on the nylon pull-rope opens the door, moving the door to one side of the opening, or the panels can bi-part to both sides, allowing easy access for fork lifts, hand trucks, large equipment or fragile products.



MOUNTING OPTIONS

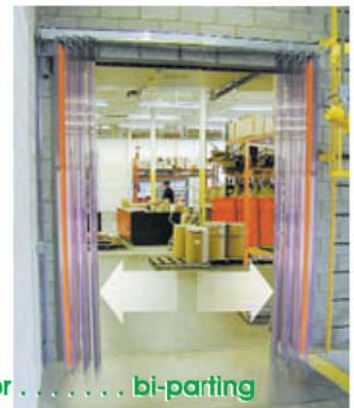
Mounting is generally determined by the type of door being used. Overhead door models include a PVC cover that acts as a thermal barrier.



you can select



opening to one side.



or bi-parting



Loading Dock Company
 1090 Aerowood Drive • Units #2-4 • Mississauga, ON L4W 1Y5
 Toll Free: 1-866-864-5265 • Tel: 905-566-0157 • Fax: 905-566-8003
www.loadingdockcompany.com