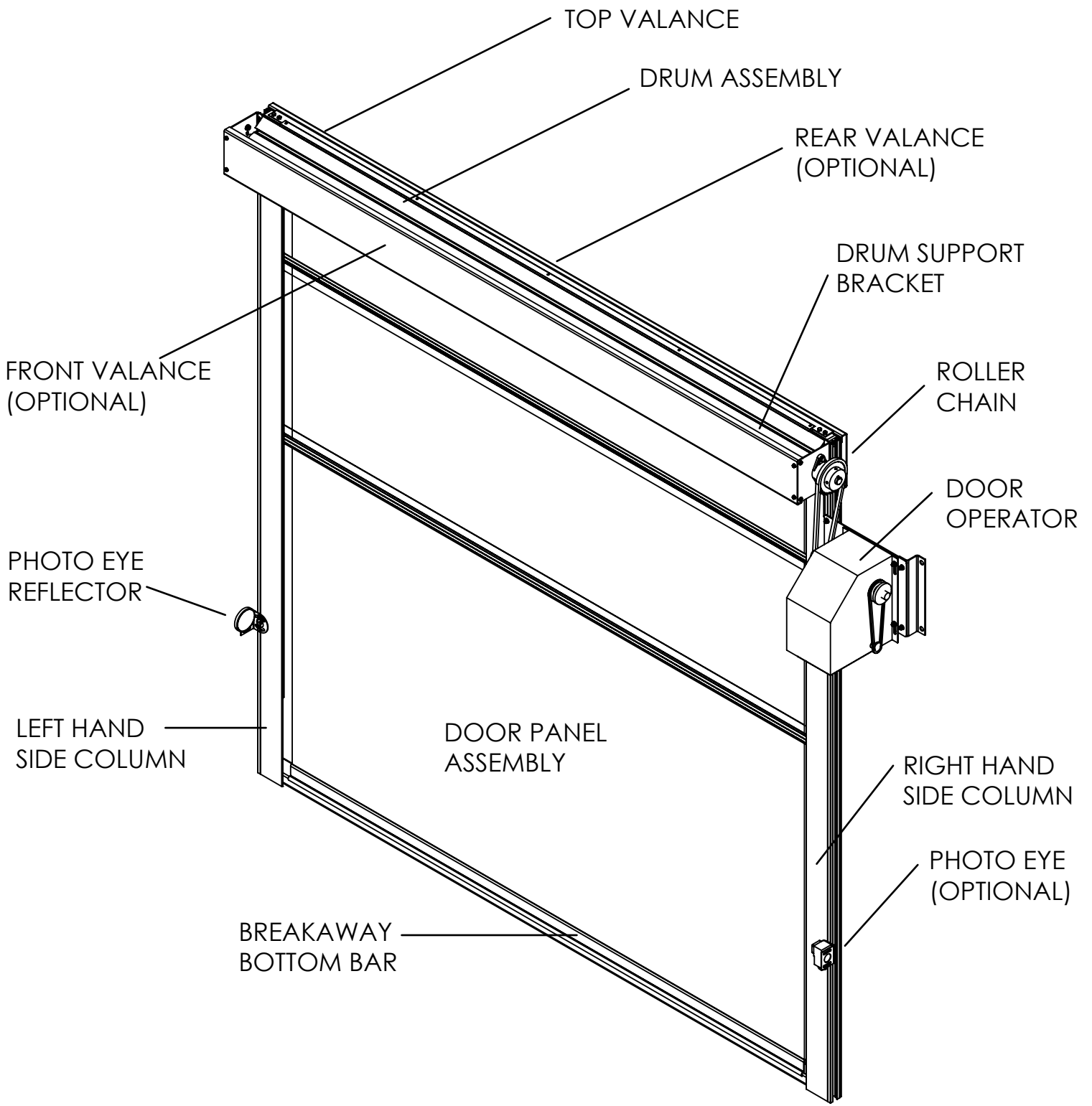
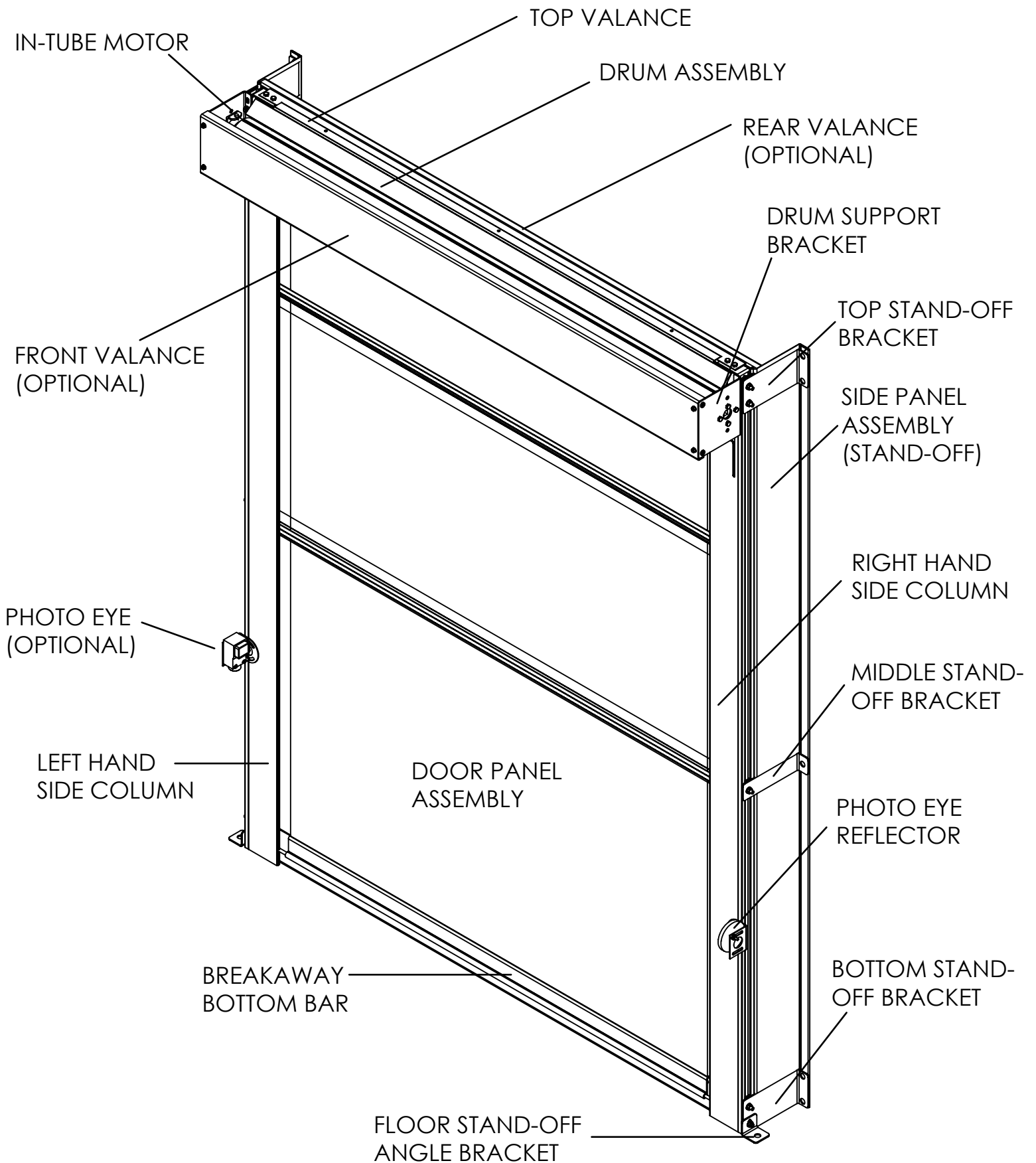


GENERAL ARRANGEMENT OF DOOR  
COMPONENTS  
(EXTERNAL MOTOR)



GENERAL ARRANGEMENT OF DOOR  
COMPONENTS  
(IN TUBE MOTOR WITH OPTIONAL STAND-OFF)



GENERAL ARRANGEMENT OF DOOR  
COMPONENTS  
(SPRING LOADED DOOR)

