

Installation Instructions

Model D-500



WARNING!!!

Post safety warning and barricade work area, at dock level and ground level to prevent unauthorized use of the dock position while service work is being performed.

Parts List

- 1 Head Frame
- 2 Side Frames
- 1 Head Curtain c/w Holdback straps
- 2 Side Curtains c/w Vertical Straps
- 3 Trim Angles
- 2 10" I-Beams
- 2 Foam Bottom Buns

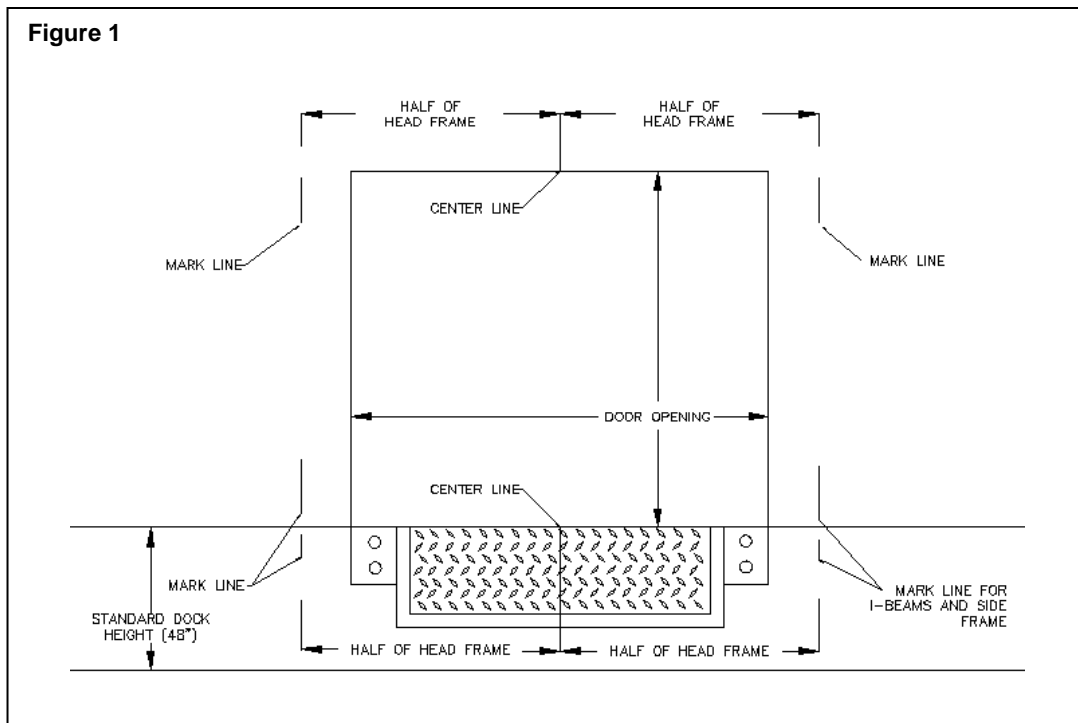
Hardware – Galvanized

- 15 – 5/8" x 4" Sleeve Anchors
- 4 5/8" x 4 1/2" Wedge Anchors (D-500)
- 50 #14 x 1" Tek Screws
- 1 Installation Instruction

Instructions:

1. Marking and mounting locations for side frames and steel I-Beams.

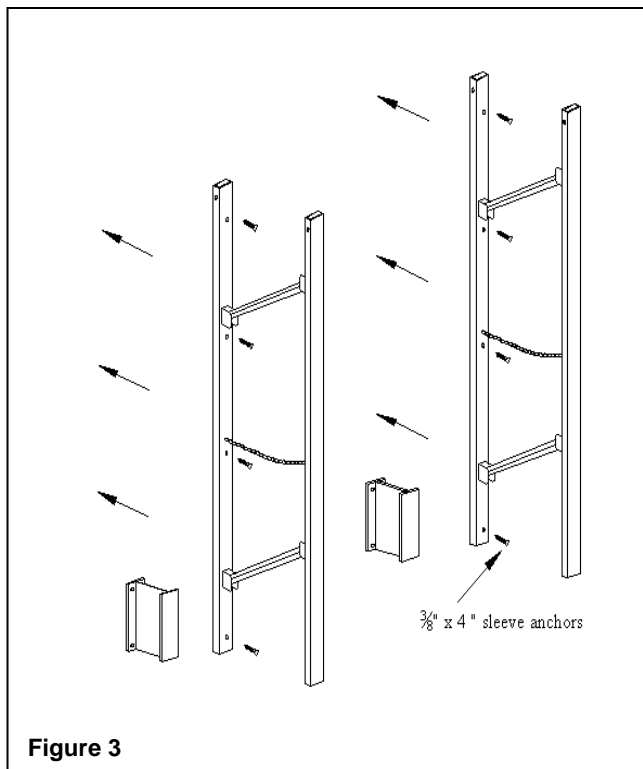
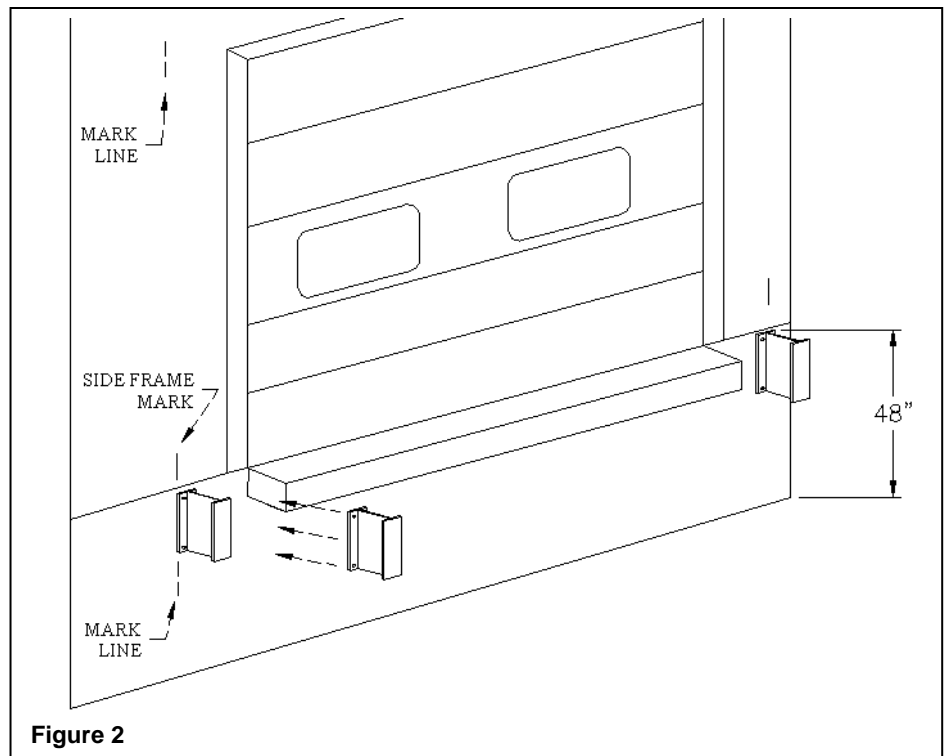
Measure one half of the top frame length. From the center line of the door opening (top & bottom) mark out the location of the outside of the side frames and steel I-beams as shown in **Figure 1**. Repeat for the other side frame and steel I-beam location.



2. Attaching the steel I-beams to the wall.

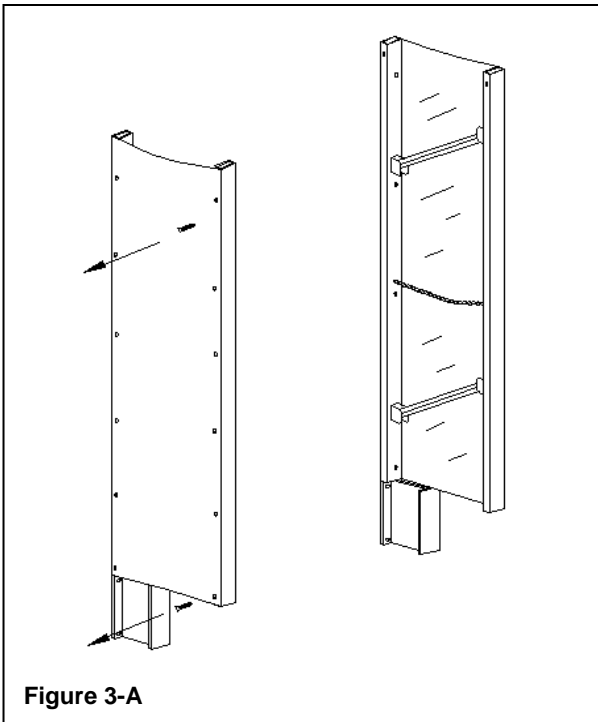
Using four (4) 5/8" x 4 1/2" wedge anchors, mount I-beams on the building foundation so that the outside edge of the back plate is flush with mark made in step #1. Make sure that the front channel on the steel I-beam is 48" from the ground.

Figure 2.



3. Attaching side frames to the wall.

Place one vertical frame in place lining up the outside edge of the side frame with the marks as shown in **Figure 1**. Ensure that the side frames are plumb and sit flush with the building wall. Also make sure the bottom of the side frame sits flush with the outside edge of I-beam. Fasten each frame to building wall using (5) 3/8" x 4" sleeve anchors. **Figure 3**



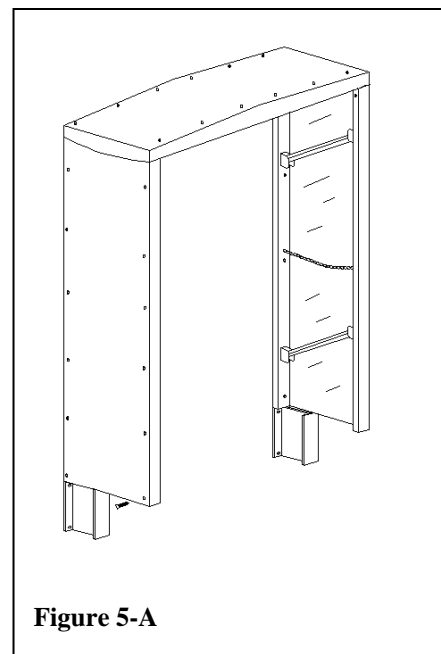
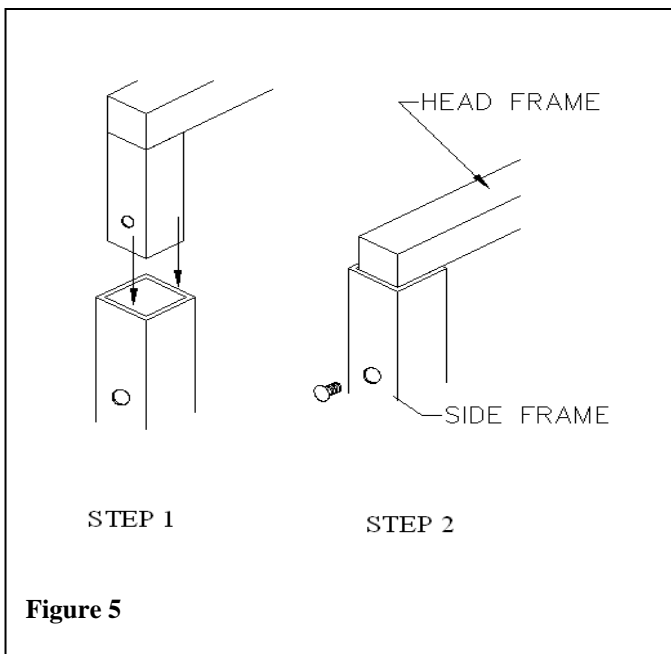
4. Repeat steps 2-3 for other side frame.

Note: It may be necessary to thru-bolt on siding wall to secure frames properly. The perimeter cover will be shipped already attached to frames. You will need to remove the front two screws to proceed with this step. **Figure 3-A**

Note: Perimeter cover will come pre-attached to top frames. Same steps apply to head frame as sides.

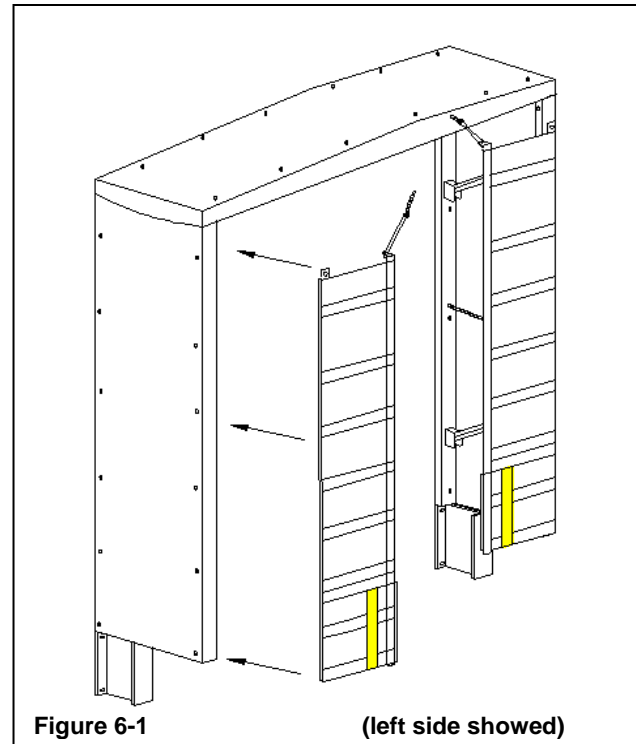
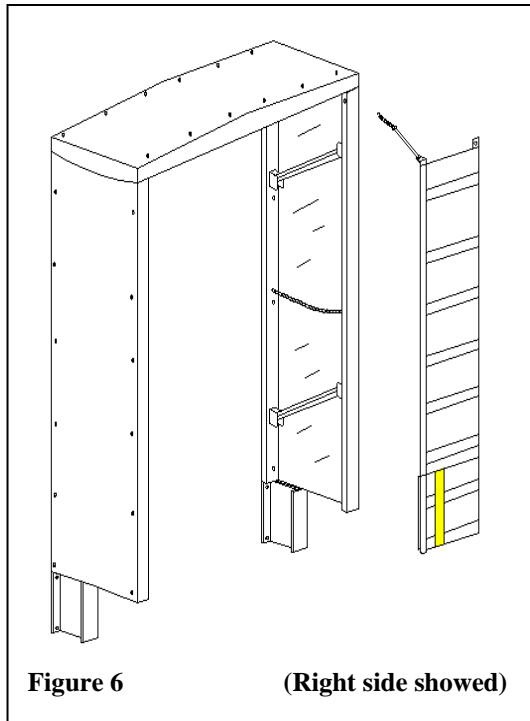
5. Mounting top frame to wall and side frames.

Place head frame on top of vertical sliding the round tube on the head frame into the top side frames. Fasten the head frame to the wall using five (5) 3/8" x 4" sleeve anchors. Also tighten two side screws supplied on head frame. **Figure 5**

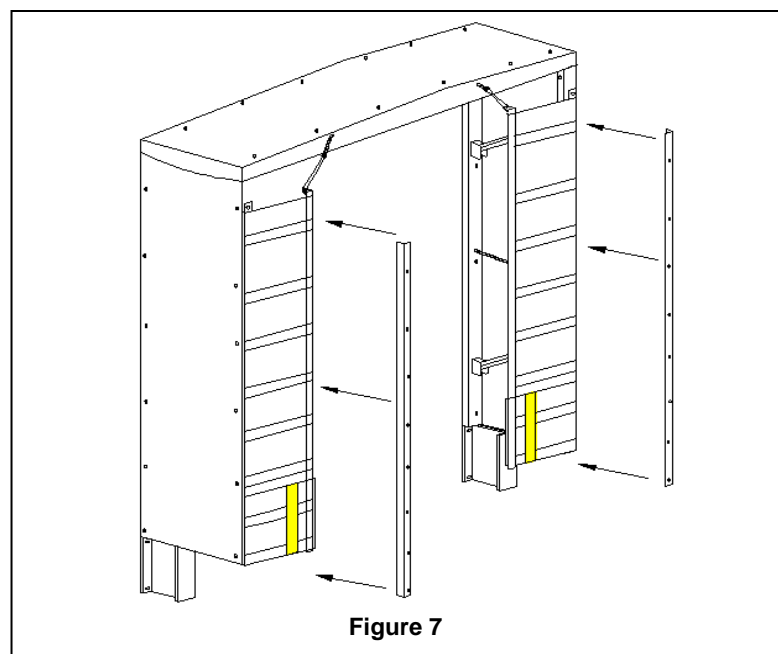


6. Attaching side and head curtains to frame.

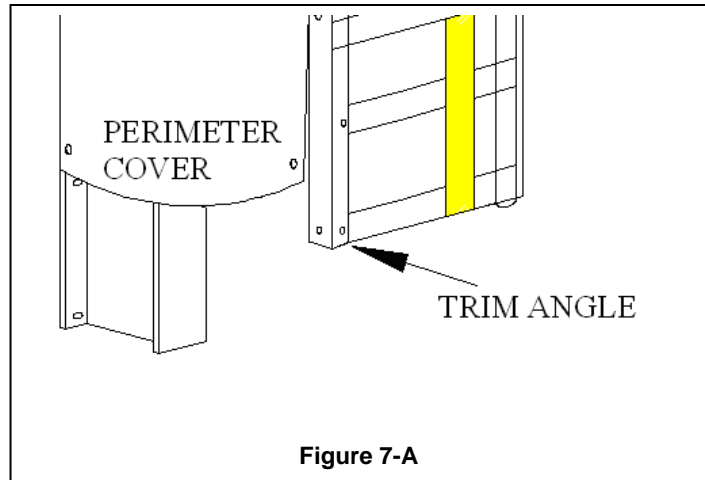
6A) Attach the side curtains to the side frame thru grommet in top of side curtain using #14 x 1" Tek screw provided. Make sure side curtain sits flush with bottom of side frames. **Figure 6 and Figure 6-1.** Attach the top straps on the side curtain to the head frame as shown in **figure 7.**



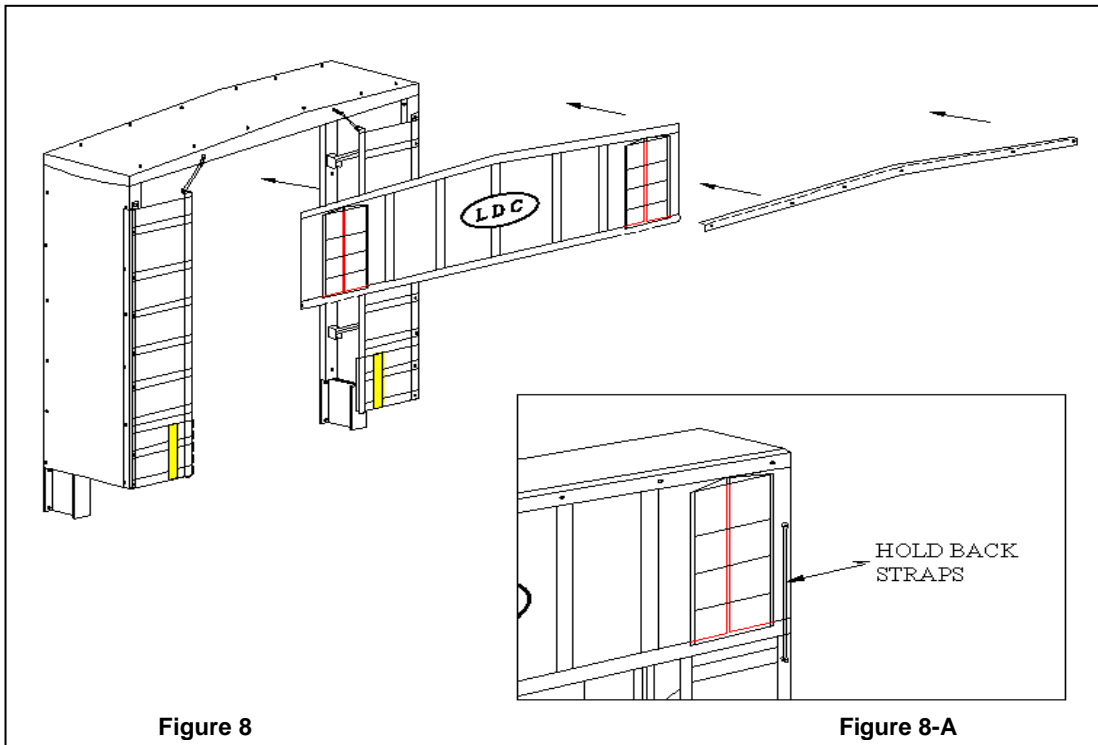
6B) Secure each side curtain to frame using one 1.5" x 2.5" trim angle supplied (**figure 7**) With #14 x 1" tek screws for galvanized frames. The trim angle has been pre-drilled to suit the curtains. Make sure that the holes in the trim angles line up with the stiffeners in the curtain. **Figure 7**



Important Note: You MUST ensure that the fasteners penetrate the stiffeners. It is necessary to pre-drill the stiffeners to prevent them from splitting. Also the trim angle must be attached under the perimeter cover. Figure 7-A



*Follow steps 7 & 8 for head curtain. Figure 8.

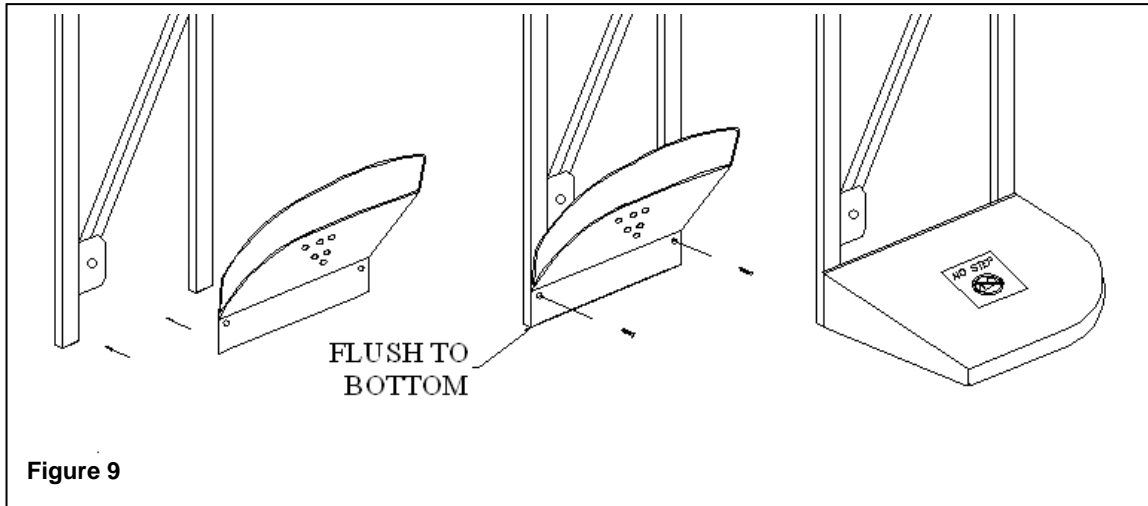


7. Attaching wind straps.

Attach the hold back straps on the sides of the head curtain to the side frames as shown in Figure 8-A.

8. Bottom Pads.

Attach the bottom buns to the bottom of the side frames using two #14 x 1" tek screws.
(Air vents on bottom) **Figure 9**



9. Caulking.

Caulk across the top of the head pad using a good quality caulking.

10. Clean up around dock area when complete.

NOTES