

Installation Instructions

Model D-900

Loading Dock Company (LDC) LTD
1090 Aerowood Drive, Unit 2-4 Mississauga,
Ontario L4W 1Y5
www.loadingdockcompany.com



WARNING!!!

Post safety warning and barricade work area, at dock level and ground level to prevent unauthorized use of the dock position while service work is being performed.

Parts List

- 1 Head Frame Complete with foam pad
- 2 Galvanized Side Supports (left, Right)
- 1 Storage Head Curtain
- 1 Trim Angle

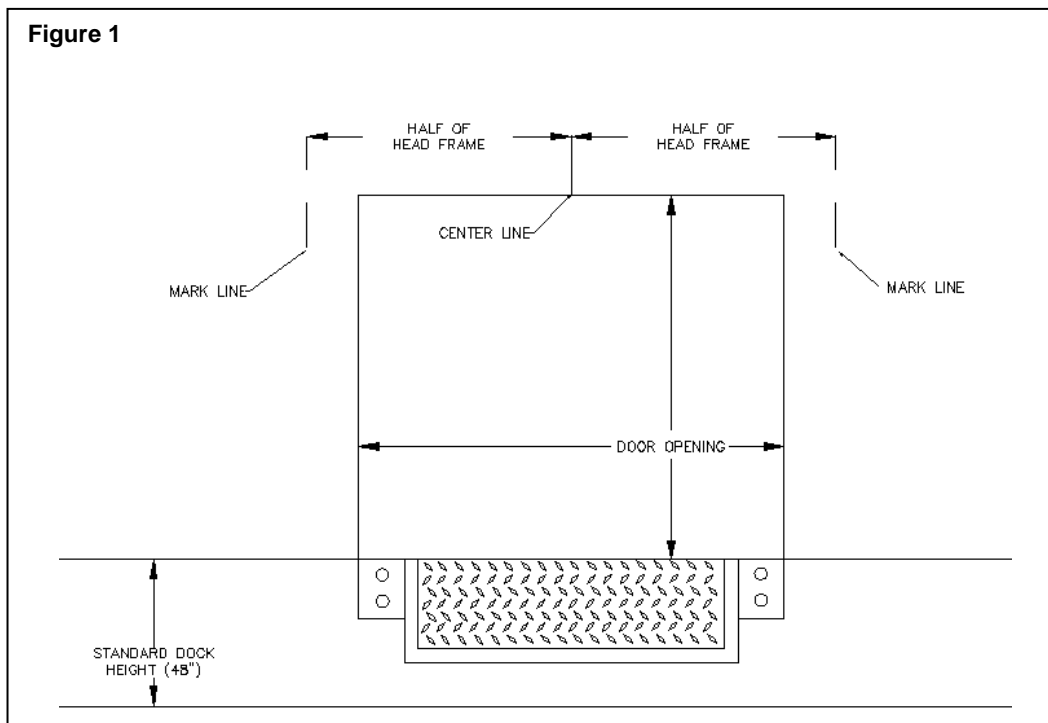
Hardware List

- 5 - 3/8" x 3" Sleeve anchors
- 50 #14 x 1 1/2" Wood Screws
- 8 - 3/8" x 1-7/8" sleeve anchors
- 1 Installation Instruction
- 20 Roofing nails

Instructions:

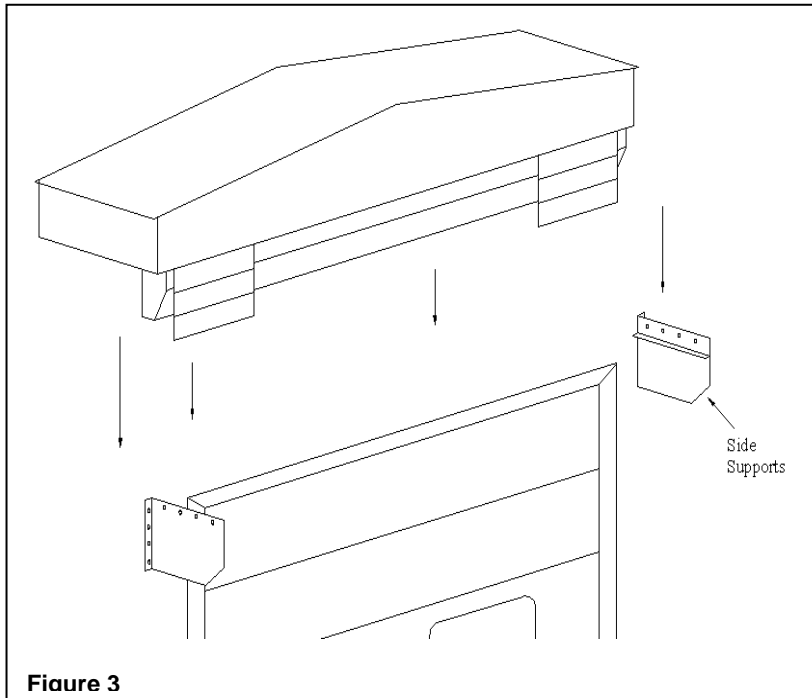
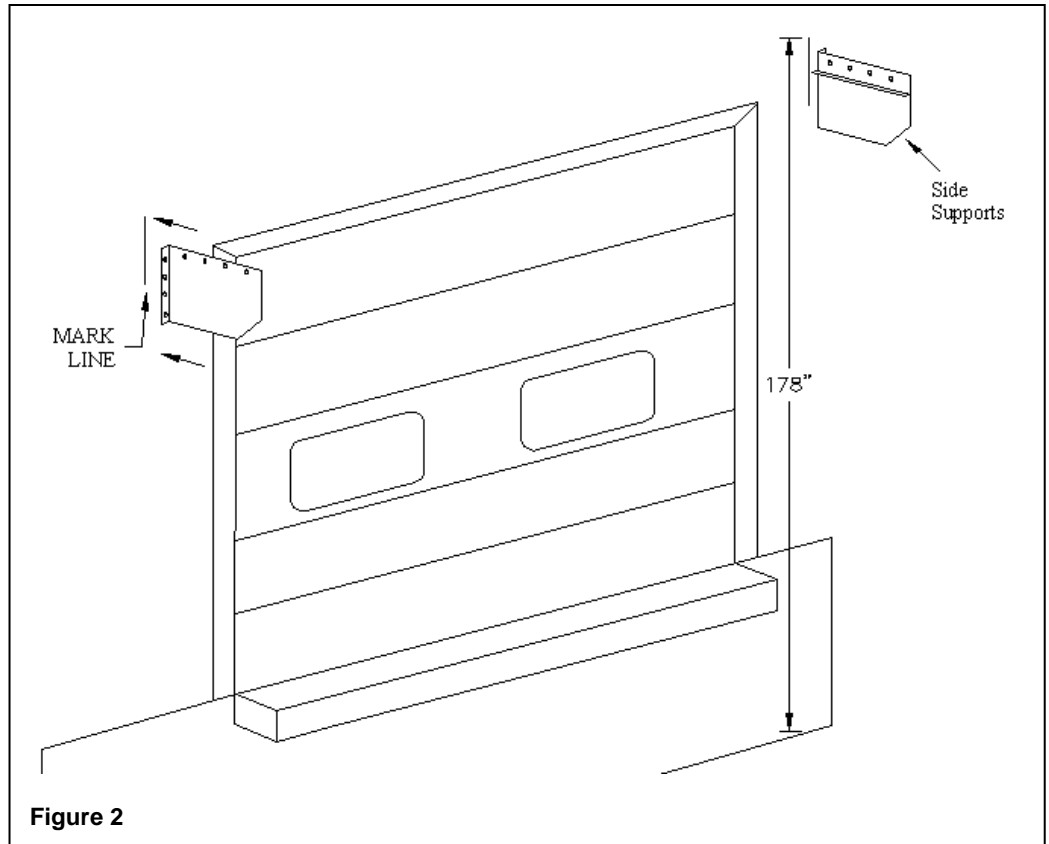
1. Marking and mounting locations for side supports.

Measure one half of the top frame. From the center of the door at 178" off grade, mark the location on the wall out to the left and right for the side supports. Top of side support must be be 178" off grade. (Center peak of raked head frame must be at 180" off grade for standard units.)



2. Attaching the side supports to the wall.

Place inside edge of side support on mark made in step one (1). Mount galvanized side support at 178" from the grade to the top of the support. Fasten using four (4) 3/8" x 1-7/8" sleeve anchors.



3. Attaching head frames to the wall and side support.

Mount the head frame on top of the two support angles on inside edge of side supports and fasten to the wall using five (5) - 3/8" x 3" sleeve anchors supplied. Also attach head frame to galvanized side supports with #14 x 1.5" wood screws supplied.

Figure 3

4. Attaching head curtain.

Attach storage head curtain to head frame using roofing nails supplied. Fasten galvanized trim angle supplied using #14 x 1.5" wood screws. (Note: ensure that wood screws fasten through stiffeners in head curtain). **Figure 4. Important Note:** You MUST ensure that the fasteners penetrate the stiffeners. It is necessary to pre-drill the stiffeners to prevent them from splitting.

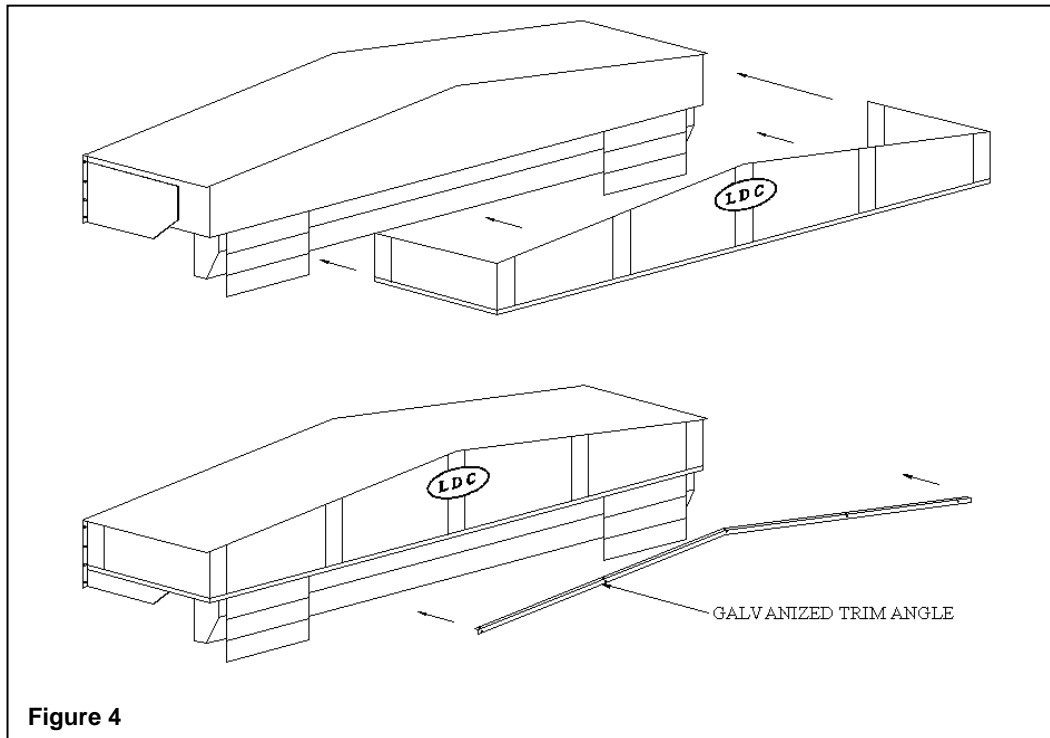


Figure 4

5. Caulking.

Caulk across the top of the head frame using a good quality caulking.

6. Clean up around dock area when complete.

NOTES